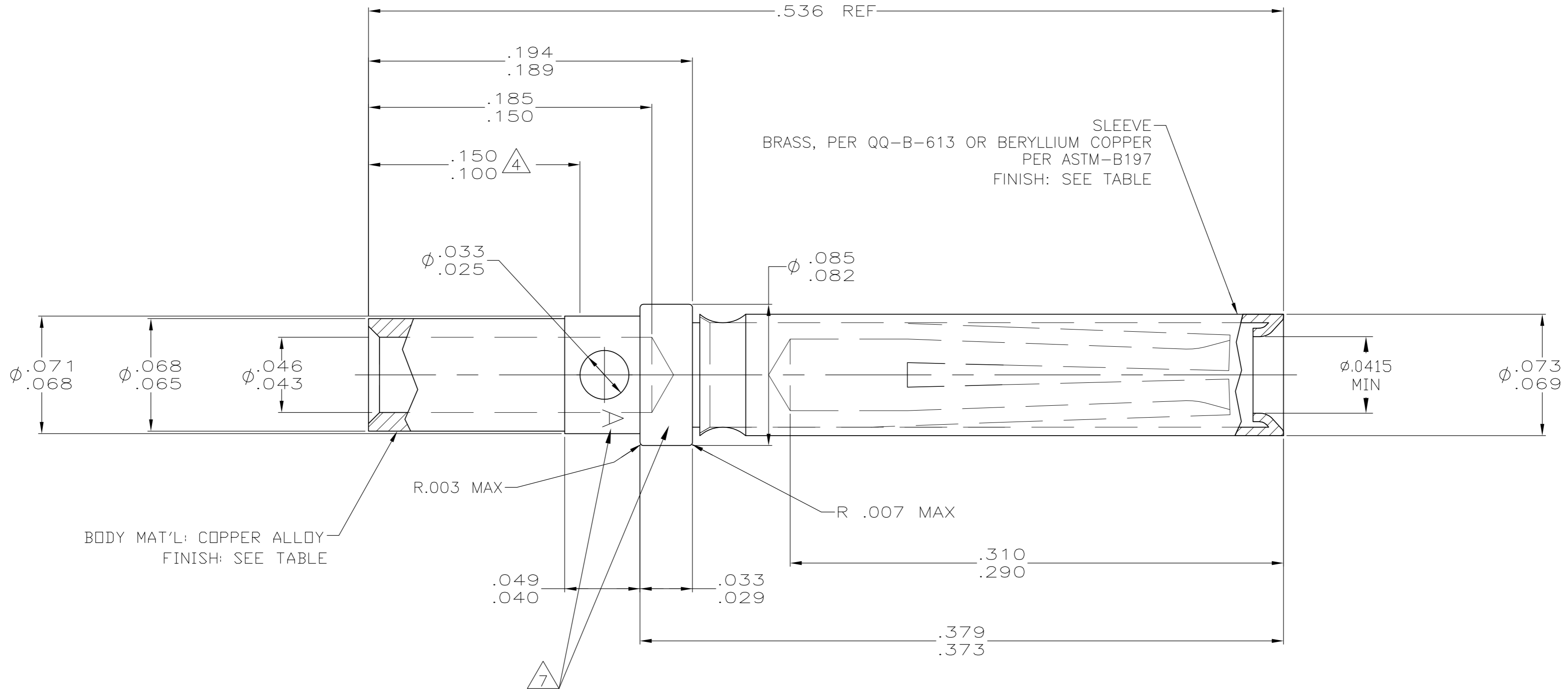
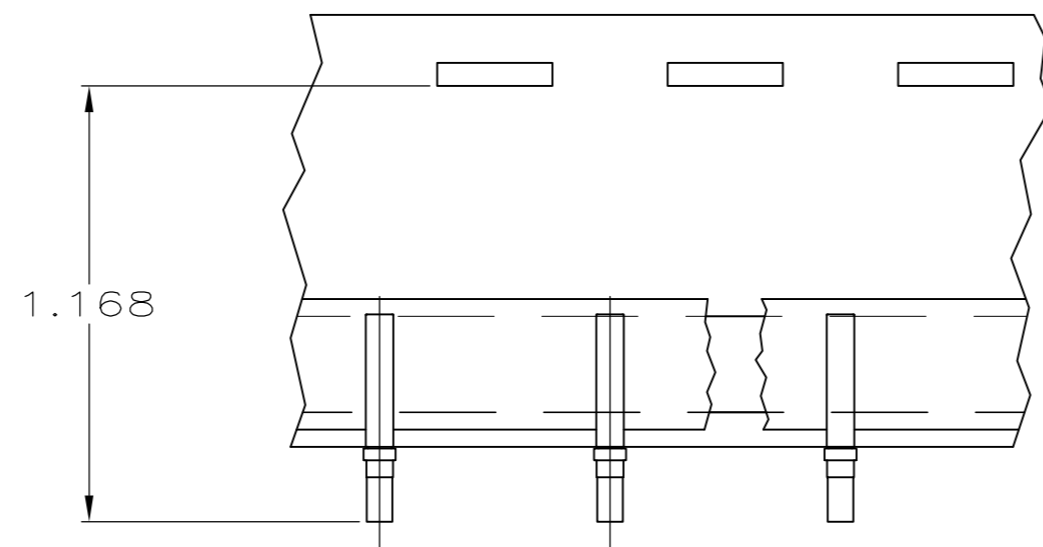


THIS DRAWING IS UNPUBLISHED. RELEASED FOR PUBLICATION  
 © COPYRIGHT - By - ALL RIGHTS RESERVED.

REVISIONS				
P	LTR	DESCRIPTION	DATE	APVD
L		REV PER ECO 17-010242	8-8-17	CT DM



- CONTACTS QUALIFIED TO GSFC-S-311-P-4/10, NASA P/N G-10-S1
- ALL DIAMETERS ARE CONCENTRIC WITH EACH OTHER WITHIN .004 T.I.R.
- ALL SURFACES HAVE  $\sqrt{63}$  OR BETTER FINISH.
- POINT OF PLATING THICKNESS MEASUREMENT.
- SLEEVE MAY BE CRIMPED OR DIMPLED TO BODY.
- MINIMUM SEPERATION FORCE OF 7 OZ USING A .039 PIN AND 4 OZ MAX ENGAGEMENT FORCE USING A .041 PIN.
- OPTIONAL LOCATION FOR STAMPED LETTER "A"
- PLATING: GOLD PER ASTM-B-488 (TYPEII) OVER COPPER PER MIL-C-14550, CLASS 4.
- PLATING: GOLD PER ASTM-B-488 (TYPEII) OVER NICKEL PER AMS-QQ-N-290.
- CONTACTS MEET REQUIREMENTS OF AS39029/63-368
- RESTRICTED PART NUMBER.



TAPE MOUNTED  
 PART NO 206793-2 ONLY  
 SCALE 2:1

FINISH	DESCRIPTION	PART NO
11		1-206793-1
9	AS SHOWN	206793-4
8	SAME AS -1 EXCEPT 6	206793-3
1	SAME AS -1 EXCEPT TAPE MOUNTED 5,000 CONTACTS PER REEL	206793-2
1	AS SHOWN	206793-1

THIS DRAWING IS A CONTROLLED DOCUMENT.		DWN C.C.THOMAS 11-20-02	TE Connectivity	
DIMENSIONS: INCHES		CHK D.MILLER 11-20-02	NAME SOCKET CONTACT ASSY, SIZE 20, AMPLIMITE	
TOLERANCES UNLESS OTHERWISE SPECIFIED:		APVD D.MILLER 11-20-02	DRAWING NO	
0 PLC ± -		PRODUCT SPEC	RESTRICTED TO	
1 PLC ± -		APPLICATION SPEC	-	
2 PLC ± -		WEIGHT 0.000000	SIZE A2	CAGE CODE 00779
3 PLC ± -		FINISH	DRAWING NO C=206793	REV L
4 PLC ± -		SEE CALLOUT	SCALE 20:1	SHEET 1 of 1
ANGLES ± -			CUSTOMER DRAWING	