

Distributed by:

JAMECO[®]
ELECTRONICS

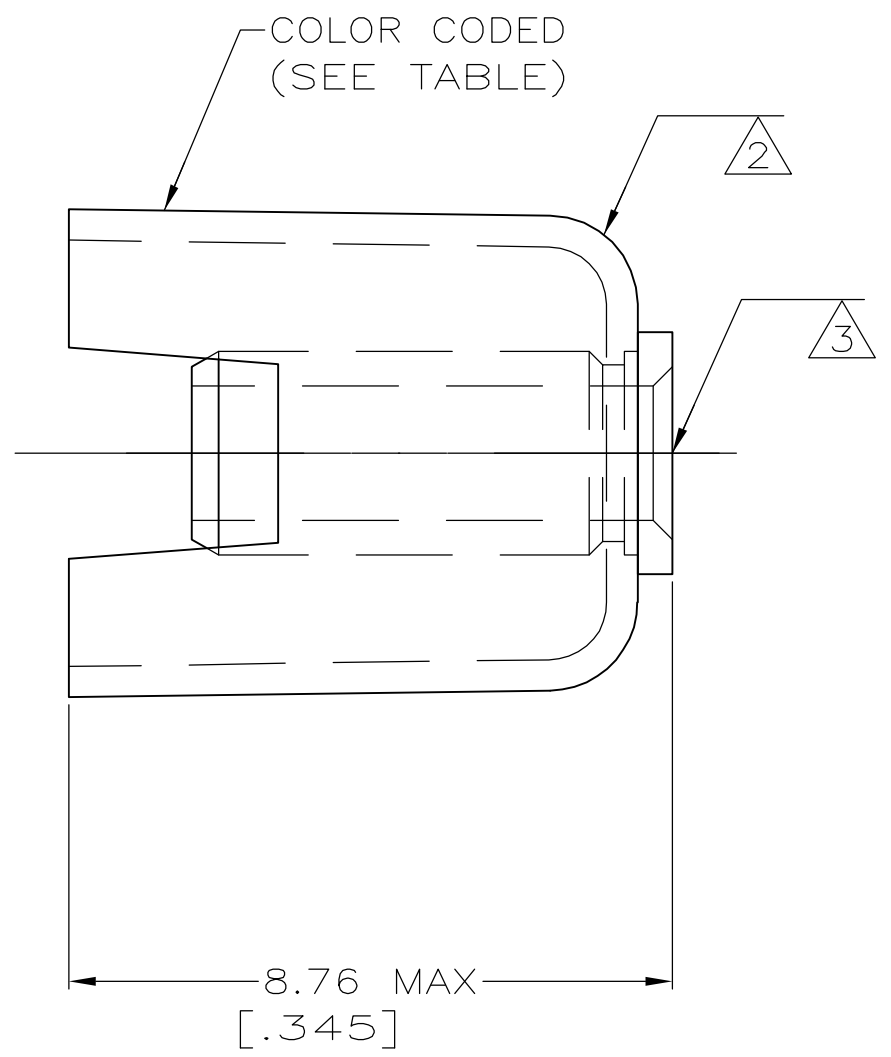
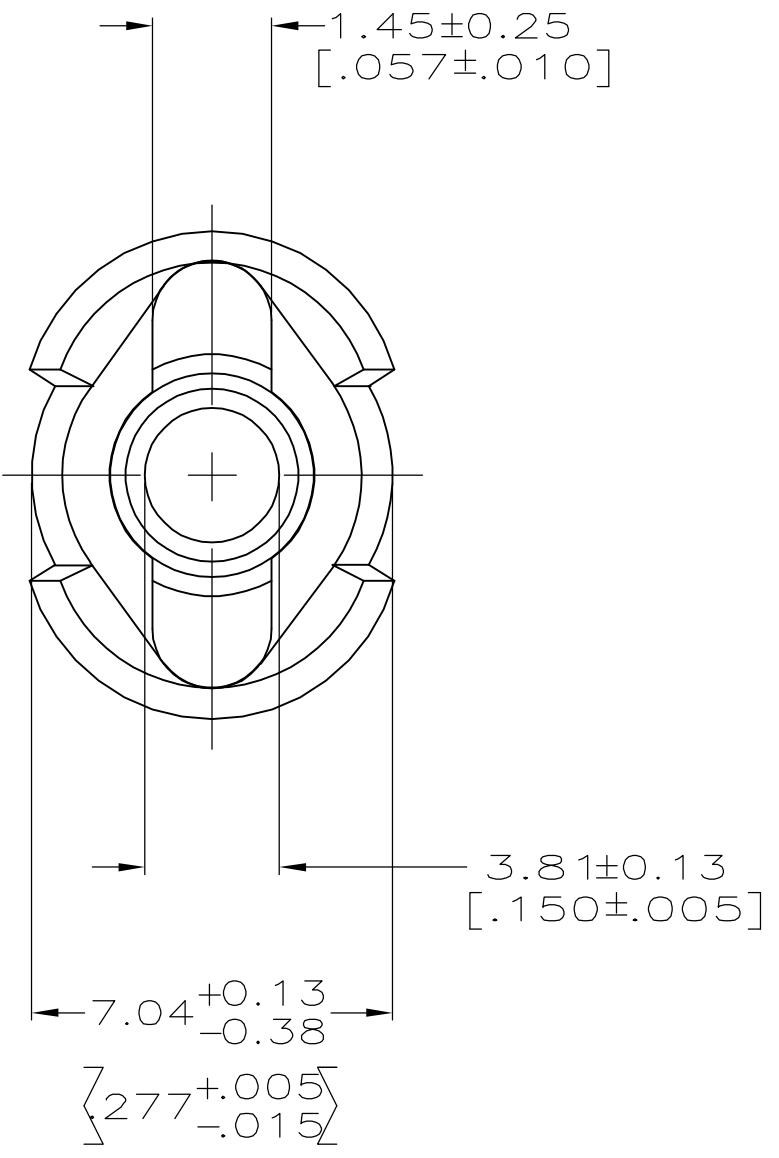
www.Jameco.com ♦ 1-800-831-4242

The content and copyrights of the attached
material are the property of its owner.

Jameco Part Number 908457

THIS DRAWING IS UNPUBLISHED. RELEASED FOR PUBLICATION
 © COPYRIGHT BY TYCO ELECTRONICS CORPORATION. ALL RIGHTS RESERVED.

LOC	DIST	REVISIONS					
AJ	16	P	LTR	DESCRIPTION	DATE	DWN	APVD
			V1	REVISED PER ECO-06-018709	18SEP2006	MC	JH



- ① ZINC PLATE PER QQ-Z-325
- ② COPPER PER QQ-C-576
- ③ BRASS PER ASTM-B-16
- ④ TIN PLATE PER MIL-T-10727

INSULATION DIA: 2.92-3.30
 [.115-.130]

OBSOLETE	.0310 OZ	NONE	④	2-323934-3
	.0310 OZ	GREEN	④	2-323934-2
OBSOLETE	-	GREEN	④	2-323934-1
OBSOLETE	.0310 OZ	GREEN	①	323934
	WEIGHT	COLOR	FINISH	PART NUMBER

THIS DRAWING IS A CONTROLLED DOCUMENT.		DWN	J.L.GROFT	1-3-97	Tyco Electronics Corporation Harrisburg, PA 17105-3608				
DIMENSIONS: mm		CHK	S.W.BURKHOLDER	1-3-97					
TOLERANCES UNLESS OTHERWISE SPECIFIED:		APVD	S.W.BURKHOLDER	1-3-97	NAME				
0 PLC ± - 1 PLC ± - 2 PLC ± - 3 PLC ± - 4 PLC ± - ANGLES ± -		PRODUCT SPEC		FERRULE ASSEMBLY, TERMASHIELD					
MATERIAL SEE NOTES		FINISH SEE NOTES		APPLICATION SPEC		RESTRICTED TO			
		WEIGHT -		SIZE	A3	CAGE CODE	00779	DRAWING NO	C-323934
CUSTOMER DRAWING				SCALE	9:1	SHEET	1 OF 1	REV	V1