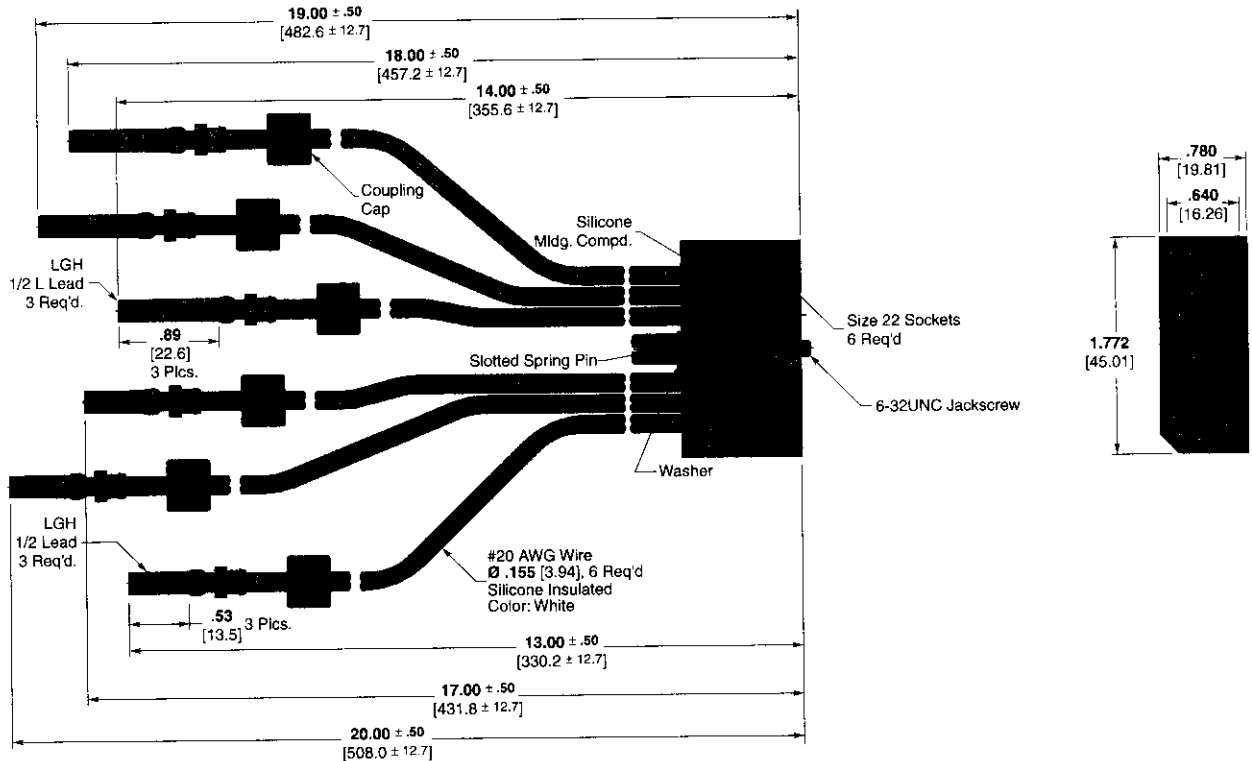
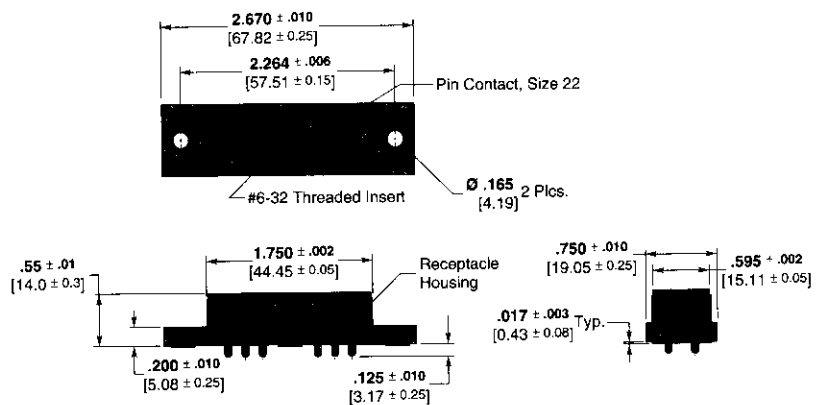


**6 Position, 10 KVDC  
Receptacle, with LGH 1/2 L  
and LGH 1/2 Positive Stop  
Leads**



Part Number 446775-1

**6 Position,  
Rectangular Receptacle**



Part Number 446947-1