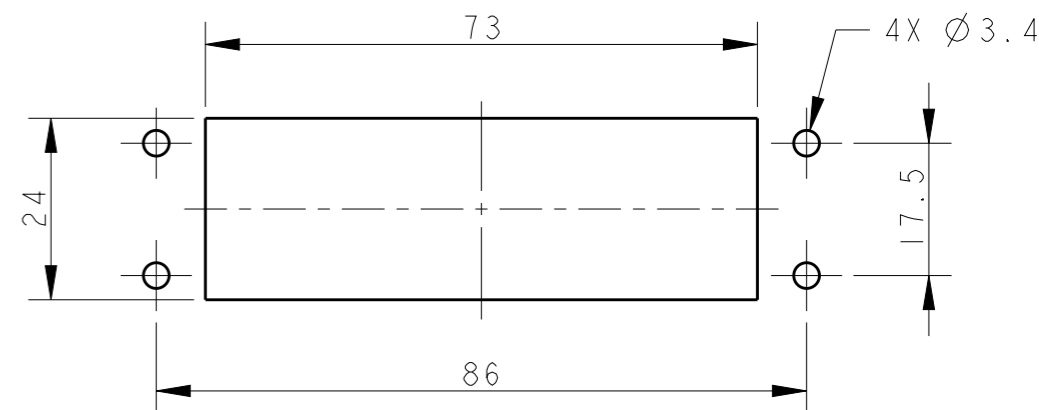
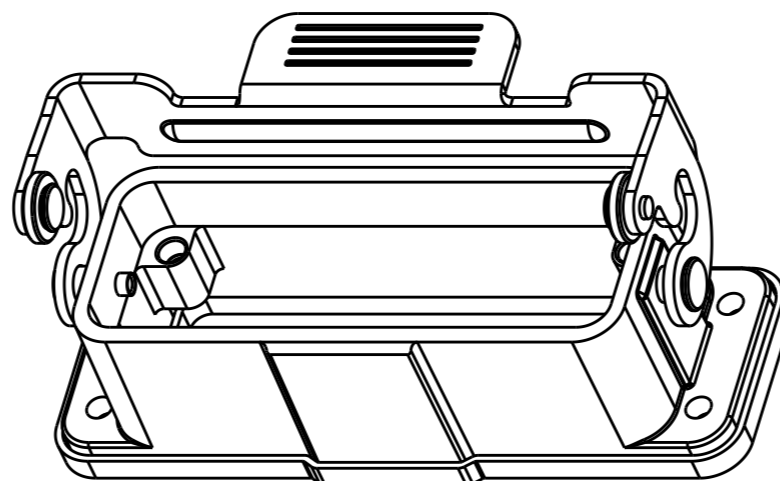
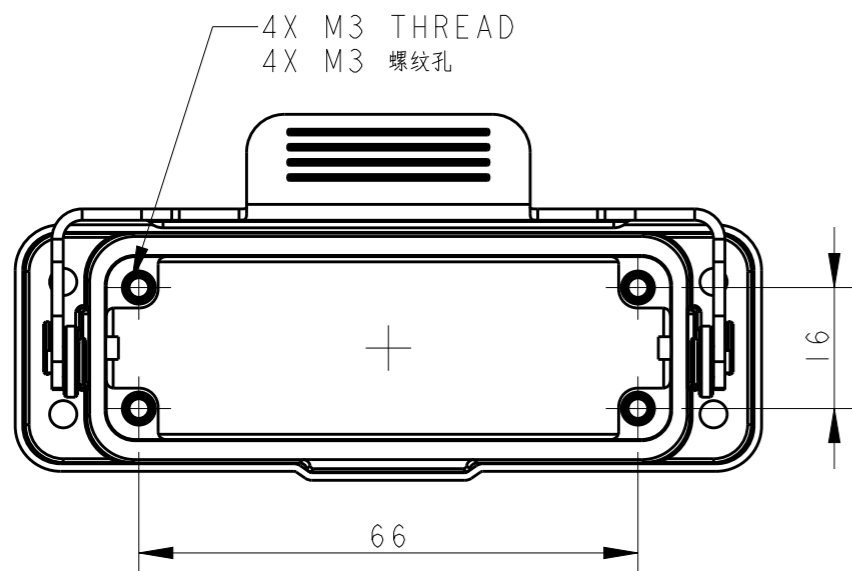
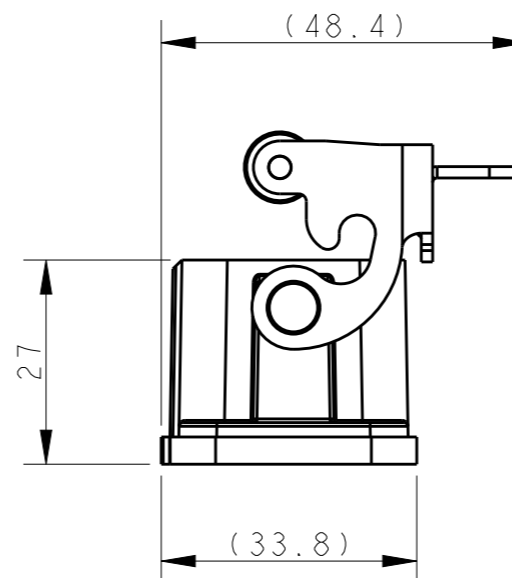
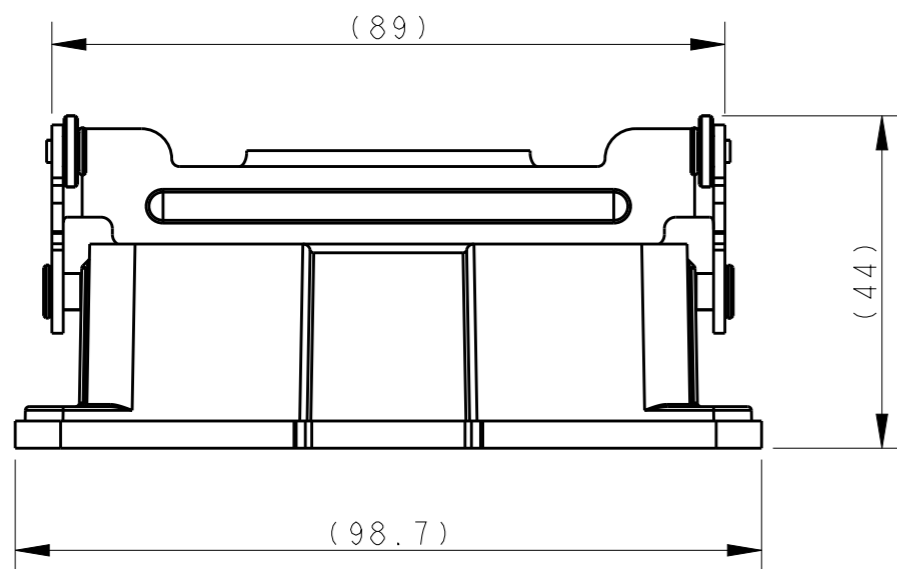


REVISIONS

P	LTR	DESCRIPTION	DATE	DWN	APVD
	A	INITIAL RELEASE	05MAY2015	DL	CW
	B	ECR-18-012608	13AUG2018	CH	CW

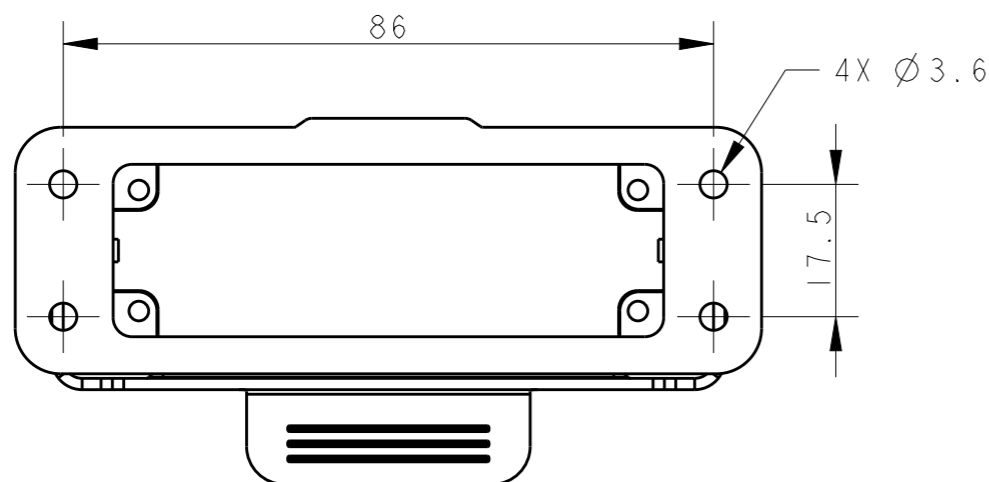


RECOMMENDED PANEL CUT OUT DIMENSIONS  
推荐面板开孔尺寸



NOTES:  
 1. TECHNICAL CHARACTERISTICS:  
 BODY MATERIAL: DIE CAST ALUMINIUM ALLOY  
 SURFACE TREATMENT: POWDER-COATED, GREY  
 DEGREE OF PROTECTION: IP65 (MATED)

注释:  
 1. 技术参数:  
 主体材料: 铝合金  
 表面处理: 灰色粉末喷涂  
 防护等级: IP65(配合)



T1509161000-000	HI6A-AGS	HI6A HOUSING, BULKHEAD MOUNTED, STAINLESS STEEL SINGLE LOCKING, POWDER COATED, GREY HI6A下壳, 开孔安装, 不锈钢单扣, 灰色粉末喷涂
PART NUMBER 料号	PART DESCRIPTION 描述	

THIS DRAWING IS A CONTROLLED DOCUMENT.	
DIMENSIONS: mm	TOLERANCES UNLESS OTHERWISE SPECIFIED: 0 PLC ±- 1 PLC ±- 2 PLC ±- 3 PLC ±- 4 PLC ±- ANGLES ±-
MATERIAL	FINISH

DWN	05MAY2015
DAVID LI	
CHK	05MAY2015
CHRIS WANG	
APVD	05MAY2015
XU XIANG	
PRODUCT SPEC	108-137010
APPLICATION SPEC	114-137010
WEIGHT	-
CUSTOMER DRAWING	

TE Connectivity		NAME		HI6A-AGS
		SIZE	CAGE CODE	DRAWING NO
A3	-	©-T1509161000000		
SCALE		1:1	SHEET	OF
				REV B