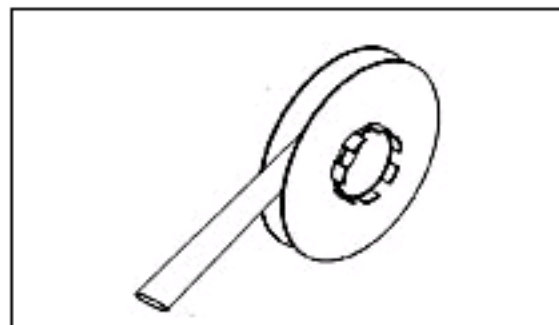


TTMS-4.8-4 Product Details

Share | Print | Email



TTMS-4.8-4

TE Internal Number: 721133-000

Active

Heat Shrink Sleeve

Always EU RoHS/ELV Compliant (Statement of Compliance)

Product Highlights:

- TTMS Series
- Military Grade
- Radiation Cross-Linked Polyolefin Material
- Shrink Ratio = 3:1
- Operating Temperature = -55 - 135 °C

[View all Features](#)

Quick Links

- ▶ Pricing & Availability
- ▶ Search for Tooling
- ▶ Product Feature Selector
- ▶ Contact Us About This Product

[Add to My Part List](#) | [Request Sample](#) | [Find Similar Products](#) | [Buy Product](#)

Documentation & Additional Information

Product Drawings:

- None Available

Catalog Pages/Data Sheets:

- [IDENTIFICATION PRINTER PRODUCT RIBBON MATRIX \(PDF, English\)](#)

Product Specifications:

- None Available

Application Specifications:

- None Available

Instruction Sheets:

- None Available

CAD Files:

- None Available

Related Products:

- [Tooling](#)

[List all Documents](#)

Product Features (Please use the Product Drawing for all design activity)

Product Type Features:

- Series = TTMS
- Grade = Military
- Color = Yellow

Dimensions:

- Expanded ID, Min. (mm [in]) = 4.75 [0.187]
- Recovered ID, Max. (mm [in]) = 1.57 [0.062]
- Recommended Wire OD Use Range (mm [in]) = 1.75 - 4.06 [0.069 - 0.16]

Body Features:

- Material = Radiation Cross-Linked Polyolefin
- Shrink Ratio = 3:1
- Wall Thickness - Full Recovery (Nominal) (mm [in]) = 0.58 [0.023]

Industry Standards:

- RoHS/ELV Compliance = RoHS compliant, ELV compliant
- Lead Free Solder Processes = Not relevant for lead free process
- RoHS/ELV Compliance History = Always was RoHS compliant

Environmental:

- Operating Temperature (°C [°F]) = -55 - +135 [-67 - +275]

Packaging Features:

- Packaging Quantity = 100

Other:

- Brand = TE Connectivity

Corporate Information

- [About TE](#)
- [Investors](#)
- [News Room](#)
- [Supplier Portal](#)
- [Careers](#)
- [Terms & Conditions](#)
- [Privacy Policy](#)

Quick Links

- [Distributor Inventory](#)
- [Product Cross Reference](#)
- [Documents & Drawings](#)
- [Product Compliance Support Center](#)
- [Site Map](#)

Customer Support

- [Email or Chat With Us](#)
- [Find a Phone Number](#)
- [Knowledge Base](#)
- [Manage Your Account](#)

Keep Me Informed

Receive TE News, Events & Technology Updates

Enter your email address

