

Snubber MKP Capacitors for Pulse Applications with Double-Sided Metallized Electrodes, Schoopage Contacts and Internal Series Connection

Special Features

- Pulse duty construction
- Self-healing
- Particularly reliable contact-configurations: 4-pin versions and screwable plate connections
- Internal series connection from 400 VAC
- Very low dissipation factor
- Negative capacitance change versus temperature
- According to RoHS 2011/65/EC

Typical Applications

For high pulse and high frequency applications requiring extremely reliable contacts e.g.

- IGBT-applications

Construction

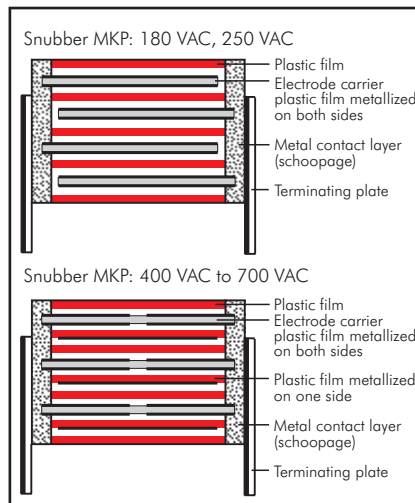
Dielectric:

Polypropylene (PP) film

Capacitor electrodes:

Double-sided metallized plastic film

Internal construction:



Encapsulation:

Solvent-resistant, flame-retardant plastic case with epoxy resin seal, UL 94 V-0

Terminations:

Tinned wire or plates.

Marking:

Colour: Red. Marking: Black.
Epoxy resin seal: Red

Electrical Data

Capacitance range: 0.047 μ F to 25 μ F

Rated voltages:

250 VDC, 400 VDC, 630 VDC, 1000 VDC, 1600 VDC, 2000 VDC, 3000 VDC

Capacitance tolerances:

$\pm 20\%$, $\pm 10\%$, $\pm 5\%$ (other tolerances are available subject to special enquiry)

Operating temperature range:

-55° C to $+100^{\circ}$ C

Insulation resistance at $+20^{\circ}$ C:

$C \leq 0.33 \mu\text{F}$: $\geq 1 \times 10^5 \text{ M}\Omega$

(mean value: $5 \times 10^5 \text{ M}\Omega$)

$C > 0.33 \mu\text{F}$: $\geq 30000 \text{ sec} (\text{M}\Omega \times \mu\text{F})$

(mean value: 100000 sec)

Measuring voltage: 100 V/1 min.

Test voltage: 2 sec

| L | $\leq 2000 \text{ VDC}$ | 3000 VDC |
|--------|-------------------------|-----------|
| < 41.5 | $1.6 U_r$ | $1.2 U_r$ |
| 41.5 | $1.4 U_r$ | $1.2 U_r$ |
| 56 | $1.2 U_r$ | $1.2 U_r$ |

Climatic test category:

55/100/56 in accordance with IEC

Voltage derating:

A voltage derating factor of 1.35 % per K must be applied from $+85^{\circ}$ C for DC voltages and from $+75^{\circ}$ C for AC voltages

Reliability:

Operational life > 300000 hours

Failure rate < 1 fit ($0.5 \times U_r$ and 40° C)

Specific dissipation:

| Box size* WxHxL in mm | Specific dissipation in Watts per K above the ambient temperature |
|--------------------------|--|
| 19x31x56 | 0.068 |
| 23x34x56 | 0.079 |
| 27x37.5x56 | 0.092 |
| 33x48x56 | 0.122 |
| 37x54x56 | 0.142 |

* other box sizes see page 10.

Dissipation factors at $+20^{\circ}$ C: $\tan \delta$

| at f | $C \leq 0.1 \mu\text{F}$ | $0.1 \mu\text{F} < C \leq 1.0 \mu\text{F}$ | $C > 1.0 \mu\text{F}$ |
|---------|--------------------------|--|-------------------------|
| 1 kHz | $\leq 3 \times 10^{-4}$ | $\leq 3 \times 10^{-4}$ | $\leq 3 \times 10^{-4}$ |
| 10 kHz | $\leq 4 \times 10^{-4}$ | $\leq 6 \times 10^{-4}$ | - |
| 100 kHz | $\leq 15 \times 10^{-4}$ | - | - |

Maximum pulse rise time:

| Capacitance μF | max. pulse rise time V/ μsec at $T_A < 40^{\circ}$ C | | | | | | |
|------------------------------|---|---------|---------|----------|----------|----------|----------|
| | 250 VDC | 400 VDC | 630 VDC | 1000 VDC | 1600 VDC | 2000 VDC | 3000 VDC |
| 0.047 ... 0.22 | 500 | 500 | 900 | 1400 | 1400 | 1400 | 1400 |
| 0.33 ... 0.68 | 300 | 400 | 700 | 900 | 900 | 900 | 900 |
| 1.0 ... 2.2 | 200 | 200 | 400 | 400 | 500 | 500 | 500 |
| 2.5 ... 6.8 | 80 | 100 | 150 | 300 | 400 | - | - |
| 7.0 ... 10 | 50 | 70 | 75 | - | - | - | - |
| 15 ... 25 | 35 | 50 | - | - | - | - | - |

for pulses equal to the rated voltage

Mounting Recommendation

Excessive mechanical strain, e.g. pressure or shock onto the capacitor body, is to be avoided during mounting and usage of the capacitors. When fixing the plates the screw torque is to be limited to max. 5 Nm.

For further details and graphs please refer to Technical Information.

Packing

Packing units at the end of the catalogue.

Packing quantities may vary depending on the plate version.

Continuation

General Data

| Capacitance | 250 VDC/180 VAC* | | | | 400 VDC/250 VAC* | | | | 630 VDC/400 VAC* | | | |
|--------------|------------------|------|------|--------------|------------------|------|------|--------------|------------------|------|------|--------------|
| | W | H | L | Part number | W | H | L | Part number | W | H | L | Part number |
| 0.1 μ F | | | | | 7 | 14 | 18 | SNMPG031004D | 7 | 16.5 | 26.5 | SNMPJ031005D |
| 0.15 " | | | | | 8 | 15 | 18 | SNMPG031504F | 8.5 | 18.5 | 26.5 | SNMPJ031505F |
| 0.22 " | 7 | 14 | 18 | SNMPF032204D | 7 | 16.5 | 26.5 | SNMPG032205D | 10.5 | 19 | 26.5 | SNMPJ032205G |
| 0.33 " | 8 | 15 | 18 | SNMPF033304F | 8.5 | 18.5 | 26.5 | SNMPG033305F | 11 | 21 | 26.5 | SNMPJ033305I |
| 0.47 " | 7 | 16.5 | 26.5 | SNMPF034705D | 10.5 | 19 | 26.5 | SNMPG034705G | 11 | 21 | 31.5 | SNMPJ034706B |
| 0.68 " | 8.5 | 18.5 | 26.5 | SNMPF036805F | 11 | 21 | 31.5 | SNMPG036806B | 15 | 26 | 31.5 | SNMPJ036806F |
| | | | | | | | | | 13 | 24 | 41.5 | SNMPJ036807C |
| 1.0 μ F | 11 | 21 | 26.5 | SNMPF041005I | 13 | 24 | 31.5 | SNMPG041006D | 17 | 29 | 31.5 | SNMPJ041006G |
| | | | | | 13 | 24 | 41.5 | SNMPG041007C | 15 | 26 | 41.5 | SNMPJ041007D |
| 1.5 " | 13 | 24 | 31.5 | SNMPF041506D | 17 | 29 | 31.5 | SNMPG041506G | 19 | 32 | 41.5 | SNMPJ041507F |
| | 11 | 22 | 41.5 | SNMPF041507B | 15 | 26 | 41.5 | SNMPG041507D | | | | |
| 2.0 " | 15 | 26 | 31.5 | SNMPF042006F | 17 | 29 | 41.5 | SNMPG042007E | 20 | 39.5 | 41.5 | SNMPJ042007G |
| | 13 | 24 | 41.5 | SNMPF042007C | | | | | | | | |
| 2.2 " | 15 | 26 | 31.5 | SNMPF042206F | 17 | 29 | 41.5 | SNMPG042207E | 20 | 39.5 | 41.5 | SNMPJ042207G |
| | 13 | 24 | 41.5 | SNMPF042207C | | | | | | | | |
| 2.5 " | 17 | 29 | 31.5 | SNMPF042506G | 19 | 32 | 41.5 | SNMPG042507F | 24 | 45.5 | 41.5 | SNMPJ042507H |
| | 15 | 26 | 41.5 | SNMPF042507D | | | | | | | | |
| 3.0 " | 17 | 34.5 | 31.5 | SNMPF043006I | 20 | 39.5 | 41.5 | SNMPG043007G | 24 | 45.5 | 41.5 | SNMPJ043007H |
| | 15 | 26 | 41.5 | SNMPF043007D | | | | | | | | |
| 3.3 " | 17 | 34.5 | 31.5 | SNMPF043306I | 20 | 39.5 | 41.5 | SNMPG043307G | 24 | 45.5 | 41.5 | SNMPJ043307H |
| | 15 | 26 | 41.5 | SNMPF043307D | | | | | | | | |
| 4.0 " | 19 | 32 | 41.5 | SNMPF044007F | 24 | 45.5 | 41.5 | SNMPG044007H | 31 | 46 | 41.5 | SNMPJ044007I |
| 4.7 " | 19 | 32 | 41.5 | SNMPF044707F | 24 | 45.5 | 41.5 | SNMPG044707H | 31 | 46 | 41.5 | SNMPJ044707I |
| 5.0 " | 20 | 39.5 | 41.5 | SNMPF045007G | 24 | 45.5 | 41.5 | SNMPG045007H | 31 | 46 | 41.5 | SNMPJ045007I |
| 6.0 " | 20 | 39.5 | 41.5 | SNMPF046007G | 31 | 46 | 41.5 | SNMPG046007I | 35 | 50 | 41.5 | SNMPJ046007J |
| | | | | | | | | | 33 | 48 | 56 | SNMPJ046008J |
| 6.8 " | | | | | | | | | 40 | 55 | 41.5 | SNMPJ046807K |
| 7.0 " | 24 | 45.5 | 41.5 | SNMPF047007H | 31 | 46 | 41.5 | SNMPG047007I | 33 | 48 | 56 | SNMPJ047008J |
| 8.0 " | 24 | 45.5 | 41.5 | SNMPF048007H | 33 | 48 | 56 | SNMPG048008J | 37 | 54 | 56 | SNMPJ048008L |
| 10.0 μ F | 31 | 46 | 41.5 | SNMPF051007I | 35 | 50 | 41.5 | SNMPG051007J | | | | |
| | | | | | 33 | 48 | 56 | SNMPG051008J | | | | |
| 15.0 " | 35 | 50 | 41.5 | SNMPF051507J | 40 | 55 | 41.5 | SNMPG051507K | | | | |
| | 33 | 48 | 56 | SNMPF051508J | 37 | 54 | 56 | SNMPG051508L | | | | |
| 20.0 " | 37 | 54 | 56 | SNMPF052008L | | | | | | | | |
| 25.0 " | 37 | 54 | 56 | SNMPF052508L | | | | | | | | |

* AC voltage: $f \leq 1000$ Hz; $1.4 \times U_{rms} + UDC \leq U_r$

New box sizes

Dims in mm.

Ionisation inception level in isolated cases may be lower than admissible rated AC voltage.

Versions and dimensional drawings see page 93.

Rights reserved to amend design data without prior notification.

Part number completion:

Version codes see page 96.

Tolerance: 20 % = M

10 % = K

5 % = J

Packing: bulk = S

Pin length: 6-2 = SD

none = 00 (for plate versions)

Continuation page 88



Continuation

General Data

| Capacitance | 1000 VDC/600 VAC* | | | | 1600 VDC/650 VAC* | | | |
|-------------|-------------------|------|------|-------------------|-------------------|------|------|-------------------|
| | W | H | L | Part number | W | H | L | Part number |
| 0.068 µF | 7 | 16.5 | 26.5 | SNMPO126805D_____ | 10.5 | 19 | 26.5 | SNMPT026805G_____ |
| 0.1 µF | 8.5 | 18.5 | 26.5 | SNMPO131005F_____ | 11 | 21 | 26.5 | SNMPT031005I_____ |
| 0.15 " | 11 | 21 | 26.5 | SNMPO131505I_____ | 13 | 24 | 31.5 | SNMPT031506D_____ |
| 0.22 " | 11 | 21 | 31.5 | SNMPO132206B_____ | 11 | 22 | 41.5 | SNMPT031507B_____ |
| | | | | | 15 | 26 | 31.5 | SNMPT032206F_____ |
| | | | | | 13 | 24 | 41.5 | SNMPT032207C_____ |
| 0.33 " | 15 | 26 | 31.5 | SNMPO133306F_____ | 17 | 34.5 | 31.5 | SNMPT033306I_____ |
| | | | | | 13 | 24 | 41.5 | SNMPT033307C_____ |
| 0.47 " | 17 | 29 | 31.5 | SNMPO134706G_____ | 15 | 26 | 41.5 | SNMPT033307D_____ |
| | | | | | 19 | 32 | 41.5 | SNMPT034707F_____ |
| 0.68 " | 15 | 26 | 41.5 | SNMPO134707D_____ | 20 | 39.5 | 41.5 | SNMPT036807E_____ |
| | | | | | | | | |
| 1.0 µF | 20 | 39.5 | 41.5 | SNMPO141007G_____ | 24 | 45.5 | 41.5 | SNMPT041007H_____ |
| | 23 | 34 | 56 | SNMPO141008E_____ | | | | |
| 1.5 " | 24 | 45.5 | 41.5 | SNMPO141507H_____ | 31 | 46 | 41.5 | SNMPT041507I_____ |
| | 23 | 34 | 56 | SNMPO141508E_____ | | | | |
| 2.0 " | 31 | 46 | 41.5 | SNMPO142007I_____ | 40 | 55 | 41.5 | SNMPT042007K_____ |
| | 27 | 37.5 | 56 | SNMPO142008H_____ | 33 | 48 | 56 | SNMPT042008J_____ |
| 2.2 " | 31 | 46 | 41.5 | SNMPO142207I_____ | 40 | 55 | 41.5 | SNMPT042207K_____ |
| | 27 | 37.5 | 56 | SNMPO142208H_____ | 33 | 48 | 56 | SNMPT042208J_____ |
| 2.5 " | 35 | 50 | 41.5 | SNMPO142507J_____ | 37 | 54 | 56 | SNMPT042508L_____ |
| | 33 | 48 | 56 | SNMPO142508J_____ | | | | |
| 3.0 " | 40 | 55 | 41.5 | SNMPO143007K_____ | 37 | 54 | 56 | SNMPT043008L_____ |
| | 33 | 48 | 56 | SNMPO143008J_____ | | | | |
| 3.3 " | 40 | 55 | 41.5 | SNMPO143307K_____ | 33 | 48 | 56 | SNMPT043308J_____ |
| | 33 | 48 | 56 | SNMPO143308J_____ | | | | |
| 4.0 " | 37 | 54 | 56 | SNMPO144008L_____ | 37 | 54 | 56 | SNMPT044008L_____ |
| 4.7 " | 37 | 54 | 56 | SNMPO144708L_____ | | | | |
| 5.0 " | 37 | 54 | 56 | SNMPO145008L_____ | | | | |

* AC voltage: $f \leq 1000 \text{ Hz}$; $1.4 \times U_{\text{rms}} + \text{UDC} \leq U_r$

New box sizes

Dims. in mm.

Ionisation inception level in isolated cases may be lower than admissible rated AC voltage.

Versions and dimensional drawings see page 93.

Part number completion:

Version codes see page 96.

Tolerance: 20 % = M

10 % = K

5 % = J

Packing: bulk = S

Pin length: 6-2 = SD

none = 00 (for plate versions)

Rights reserved to amend design data without prior notification.

Continuation page 89

Continuation

General Data

| Capacitance | 2000 VDC/700 VAC* | | | | 3000 VDC/700 VAC* | | | |
|---------------|-------------------|------|------|--------------|-------------------|------|------|--------------|
| | W | H | L | Part number | W | H | L | Part number |
| 0.047 μ F | 10.5 | 19 | 26.5 | SNMPU024705G | 11 | 21 | 31.5 | SNMPW024706B |
| 0.068 " | 11 | 21 | 26.5 | SNMPU026805I | 13 | 24 | 31.5 | SNMPW026806D |
| | | | | | 11 | 22 | 41.5 | SNMPW026807B |
| 0.1 μ F | 13 | 24 | 31.5 | SNMPU031006D | 15 | 26 | 31.5 | SNMPW031006F |
| | 11 | 22 | 41.5 | SNMPU031007B | 13 | 24 | 41.5 | SNMPW031007C |
| 0.15 " | 15 | 26 | 31.5 | SNMPU031506F | 15 | 26 | 41.5 | SNMPW031507D |
| | 13 | 24 | 41.5 | SNMPU031507C | | | | |
| 0.22 " | 17 | 34.5 | 31.5 | SNMPU032206I | 19 | 32 | 41.5 | SNMPW032207F |
| | 15 | 26 | 41.5 | SNMPU032207D | | | | |
| 0.33 " | 19 | 32 | 41.5 | SNMPU033307F | 24 | 45.5 | 41.5 | SNMPW033307H |
| | | | | | 19 | 31 | 56 | SNMPW033308D |
| 0.47 " | 20 | 39.5 | 41.5 | SNMPU034707G | 31 | 46 | 41.5 | SNMPW034707I |
| | | | | | 27 | 37.5 | 56 | SNMPW034708H |
| 0.68 " | 24 | 45.5 | 41.5 | SNMPU036807H | 35 | 50 | 41.5 | SNMPW036807J |
| | | | | | 33 | 48 | 56 | SNMPW036808J |
| 1.0 μ F | 35 | 50 | 41.5 | SNMPU041007J | 40 | 55 | 41.5 | SNMPW041007K |
| | 33 | 48 | 56 | SNMPU041008J | 33 | 48 | 56 | SNMPW041008J |
| 1.5 " | 40 | 55 | 41.5 | SNMPU041507K | 37 | 54 | 56 | SNMPW041508L |
| | 33 | 48 | 56 | SNMPU041508J | | | | |
| 2.0 " | 37 | 54 | 56 | SNMPU042008L | | | | |

* AC voltage: $f \leq 1000$ Hz; $1.4 \times U_{rms} + U_{DC} \leq U_r$

New box sizes

Dims. in mm.

Ionisation inception level in isolated cases may be lower than admissible rated AC voltage.

Versions and dimensional drawings see page 93.

Rights reserved to amend design data without prior notification.

Part number completion:

Version codes see page 96.

Tolerance: 20 % = M

10 % = K

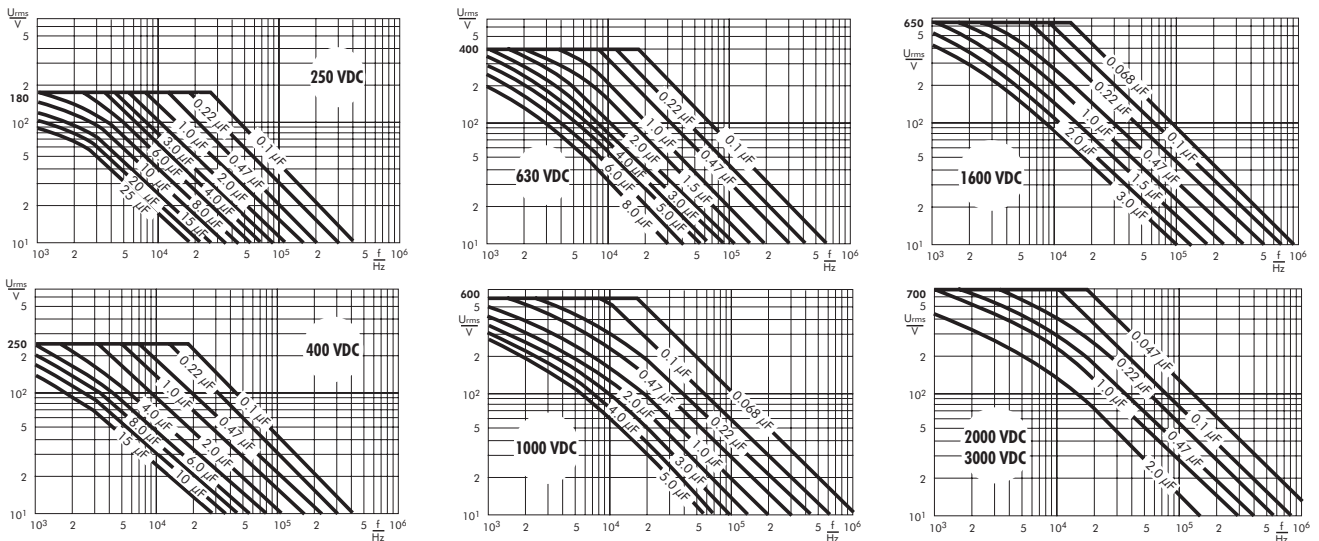
5 % = J

Packing: bulk = S

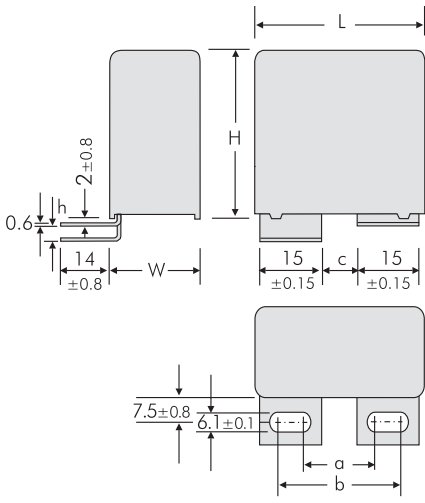
Pin length: 6-2 = SD

none = 00 (for plate versions)

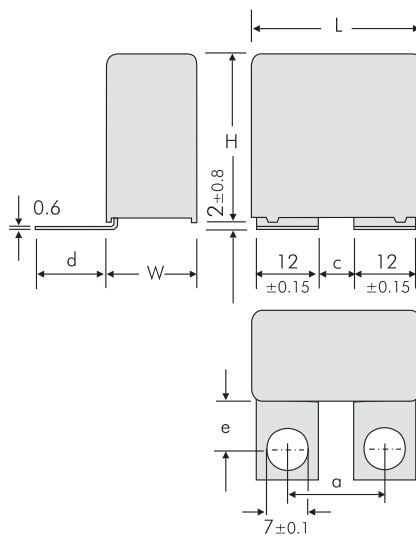
Permissible AC voltage in relation to frequency at 10° C internal temperature rise (general guide).



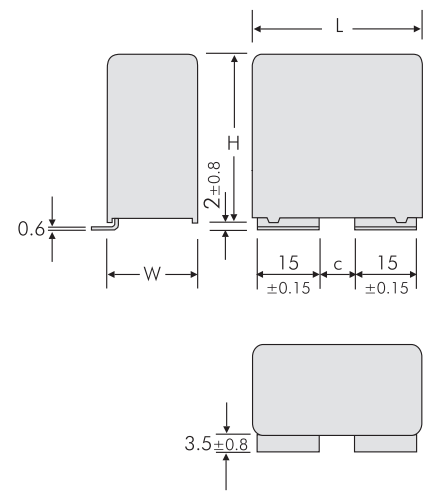
Versions of WIMA Snubber Capacitors



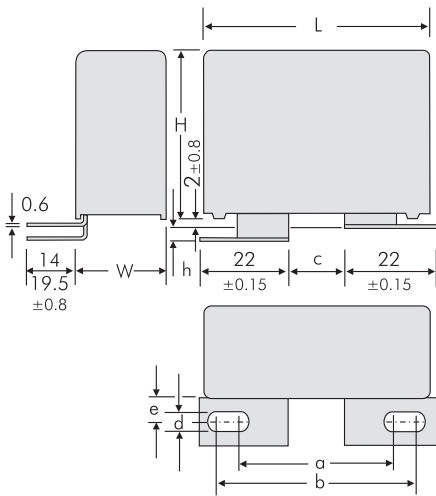
| Version | L | a ±0.5 | b ±0.5 | c ±0.5 | h ±0.8 |
|---------------|------|--------|--------|--------|--------|
| A1 | 41.5 | 17.5 | 27.5 | 7.5 | 0 |
| A1.5 | 41.5 | 17.5 | 27.5 | 7.5 | 3.5 |
| A1 | 56 | 20 | 30 | 10 | 0 |
| A1.1.1 | 56 | 28 | 38 | 18 | 0 |
| A1.4 | 56 | 20 | 30 | 10 | 3.5 |
| A1.4.1 | 56 | 28 | 38 | 18 | 3.5 |



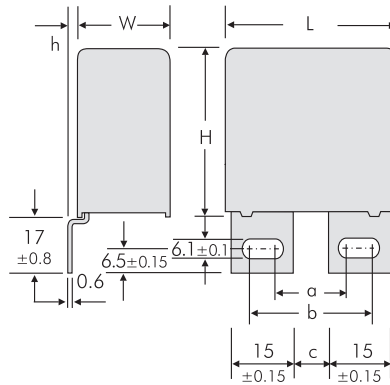
| Version | L | a ±0.5 | c ±0.5 | d ±0.8 | e ±0.8 |
|---------------|------|--------|--------|--------|--------|
| A1.6 | 41.5 | 18 | 6 | 21.5 | 16 |
| A1.6.1 | 41.5 | 22 | 10 | 18.5 | 13 |
| A1.6 | 56 | 29 | 17 | 21.5 | 16 |



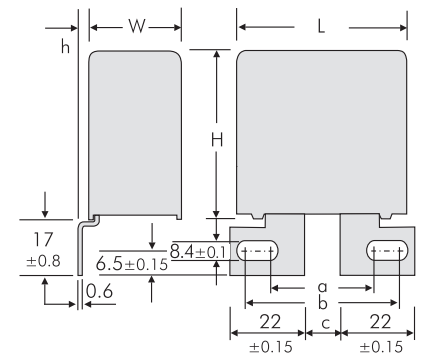
| Version | L | c ±0.5 |
|---------------|------|--------|
| A1.7 | 41.5 | 7.5 |
| A1.7 | 56 | 10 |
| A1.7.1 | 56 | 18 |



| Version | L | a ±0.5 | b ±0.5 | c ±0.5 | d ±0.1 | e ±0.8 | h ±0.8 |
|---------------|------|--------|--------|--------|--------|--------|--------|
| A2 | 41.5 | 40.5 | 46.5 | 14.5 | 8.4 | 7.5 | 0 |
| A2.2 | 41.5 | 31 | 37 | 5 | 8.4 | 7.5 | 3.5 |
| A2.3 | 41.5 | 31 | 37 | 5 | 8.4 | 13 | 3.5 |
| A2.4 | 41.5 | 33.5 | 39.5 | 7.5 | 8.4 | 13 | 3.5 |
| A2.4.1 | 41.5 | 33.5 | 39.5 | 7.5 | 8.4 | 13 | 0 |
| A2.5 | 41.5 | 29.5 | 39.5 | 5.5 | 6.1 | 7.5 | 3.5 |
| A2.6 | 41.5 | 31.5 | 41.5 | 7.5 | 6.1 | 13 | 3.5 |
| A2.6.1 | 41.5 | 31.5 | 41.5 | 14 | 6.1 | 13 | 3.5 |
| A2.6.2 | 41.5 | 31.5 | 41.5 | 14 | 6.1 | 13 | 0 |
| A2.8 | 41.5 | 40.5 | 46.5 | 14.5 | 8.4 | 7.5 | 3.5 |
| A2.1 | 56 | 39.5 | 45.5 | 13.5 | 8.4 | 7.5 | 0 |
| A2.7 | 56 | 39.5 | 45.5 | 13.5 | 8.4 | 7.5 | 3.5 |

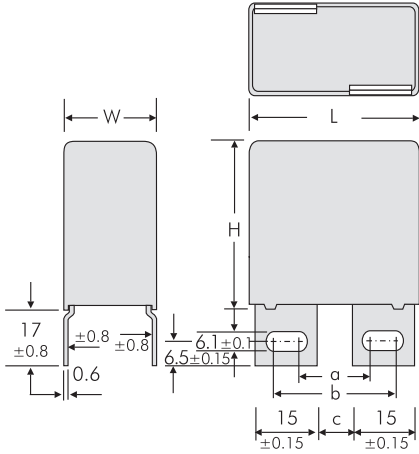


| Version | L | a ±0.5 | b ±0.5 | c ±0.5 | h ±0.8 |
|--------------|------|--------|--------|--------|--------|
| A3 | 41.5 | 17.5 | 27.5 | 7.5 | 0 |
| A3.5 | 41.5 | 17.5 | 27.5 | 7.5 | 3 |
| A3 | 56 | 20 | 30 | 10 | 0 |
| A3.1 | 56 | 28 | 38 | 18 | 0 |
| A3.5 | 56 | 20 | 30 | 10 | 3 |
| A3.10 | 56 | 28 | 38 | 18 | 3 |

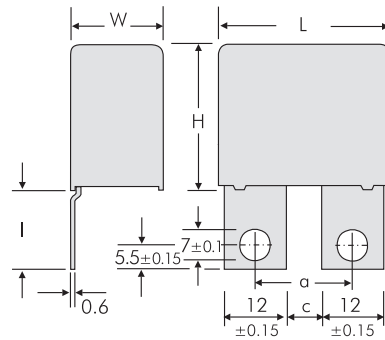


| Version | L | a ±0.5 | b ±0.5 | c ±0.5 | h ±0.8 |
|--------------|------|--------|--------|--------|--------|
| A3.9 | 41.5 | 40.5 | 46.5 | 14.5 | 0 |
| A3.11 | 41.5 | 40.5 | 46.5 | 14.5 | 3 |
| A3.2 | 56 | 40.5 | 46.5 | 14.5 | 0 |
| A3.3 | 56 | 40.5 | 46.5 | 14.5 | 3 |

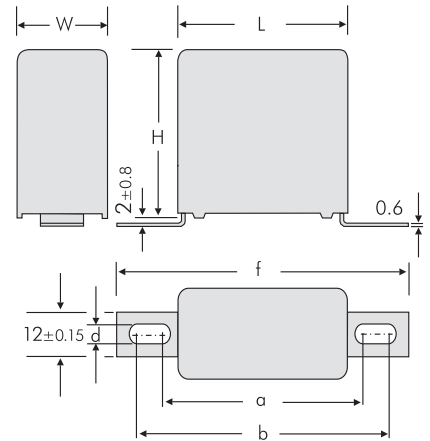
Versions of WIMA Snubber Capacitors



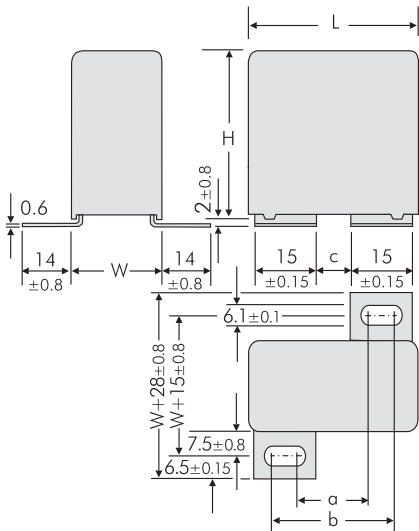
| Version | L | a ±0.5 | b ±0.5 | c ±0.5 |
|-------------|------|-----------|-----------|-----------|
| A3.6 | 41.5 | 17.5 | 27.5 | 7.5 |
| A3.7 | 56 | 20 | 30 | 10 |



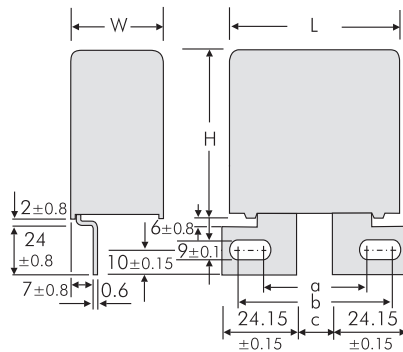
| Version | L | a ±0.5 | c ±0.5 | I ±0.8 |
|---------------|-------------|-----------|-----------|-----------|
| A3.8 | 41.5 W ≥ 17 | 18 | 6 | 23 |
| A3.8.1 | 41.5 W ≥ 17 | 22 | 10 | 17.5 |



| Version | L | a ±0.8 | b ±0.8 | f ±0.8 | d ±0.1 |
|--------------|-------------|-----------|-----------|-----------|-----------|
| A4.9 | 31.5 W ≥ 15 | 44 | 47 | 57 | 4.5 |
| A4.10 | 31.5 W ≥ 15 | 43 | 59 | 69 | 6.1 |
| A4.2 | 41.5 W ≥ 15 | 54 | 57 | 67 | 4.5 |
| A4 | 41.5 W ≥ 15 | 53 | 69 | 79 | 6.1 |
| A4.7 | 56 | 65 | 68 | 78 | 4.5 |
| A4 | 56 | 64 | 80 | 90 | 6.1 |



| Version | L | a ±0.5 | b ±0.5 | c ±0.5 |
|-----------|------|-----------|-----------|-----------|
| A5 | 41.5 | 17.5 | 27.5 | 7.5 |
| A5 | 56 | 20 | 30 | 10 |

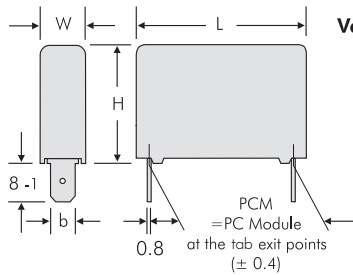


| Version | L | a ±0.5 | b ±0.5 | c ±0.5 |
|-----------|-----------|-----------|-----------|-----------|
| A6 | 56 W ≥ 23 | 41.5 | 45.5 | 15.5 |

Versions of WIMA Snubber Capacitors

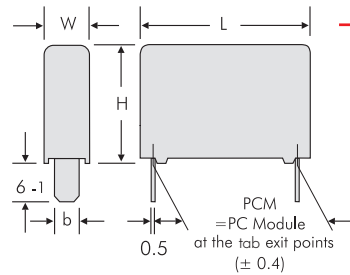


Version FS 6.3
with slip-on terminals according to DIN 46244



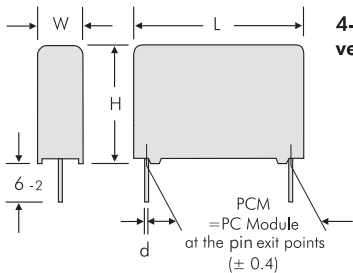
| L | W | PCM | b ±0.15 |
|------|------|------|------------|
| 26.5 | ≥ 11 | 23.5 | 6.3 |
| 31.5 | ≥ 11 | 28.5 | 6.3 |
| 41.5 | ≥ 11 | 38.5 | 6.3 |
| 56 | ≥ 11 | 49.5 | 6.3 |

Version B



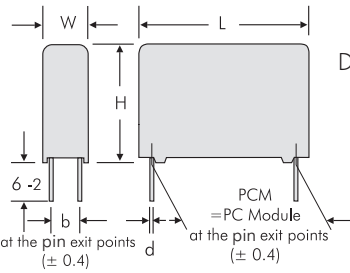
| L | PCM | b ±0.15 |
|------|------|------------|
| 18 | 16 | 5 |
| 26.5 | 23.5 | 5 |
| 31.5 | 28.5 | 8 |
| 41.5 | 38.5 | 8 |
| 56 | 49.5 | 8 |

2-pin version



| PCM | d |
|------|-----|
| 15 | 0.8 |
| 22.5 | 0.8 |
| 27.5 | 0.8 |
| 38.5 | 1.2 |
| 49.5 | 1.2 |

4-pin version



| W | H | L | PCM | b | d |
|------|------|------|------|------|-----|
| 10.5 | 19 | 26.5 | 22.5 | 5 | 0.8 |
| 10.5 | 20.5 | 26.5 | 22.5 | 5 | 0.8 |
| 11 | 21 | 26.5 | 22.5 | 5 | 0.8 |
| 11 | 21 | 31.5 | 27.5 | 5 | 0.8 |
| 13 | 24 | 31.5 | 27.5 | 7.5 | 0.8 |
| 15 | 26 | 31.5 | 27.5 | 7.5 | 0.8 |
| 17 | 29 | 31.5 | 27.5 | 10 | 0.8 |
| 19 | 30 | 31.5 | 27.5 | 10 | 0.8 |
| 17 | 34.5 | 31.5 | 27.5 | 10 | 0.8 |
| 20 | 39.5 | 31.5 | 27.5 | 12.5 | 0.8 |
| 22 | 43.5 | 31.5 | 27.5 | 12.5 | 0.8 |
| 11 | 22 | 41.5 | 37.5 | 5 | 1 |
| 13 | 24 | 41.5 | 37.5 | 7.5 | 1 |
| 15 | 26 | 41.5 | 37.5 | 7.5 | 1 |
| 17 | 29 | 41.5 | 37.5 | 10 | 1 |
| 19 | 32 | 41.5 | 37.5 | 10 | 1 |
| 20 | 39.5 | 41.5 | 37.5 | 12.5 | 1 |
| 24 | 45.5 | 41.5 | 37.5 | 12.5 | 1 |
| 31 | 46 | 41.5 | 37.5 | 20 | 1 |
| 19 | 31 | 56 | 48.5 | 12.5 | 1 |
| 23 | 34 | 56 | 48.5 | 15 | 1 |
| 27 | 37.5 | 56 | 48.5 | 15 | 1 |
| 33 | 48 | 56 | 48.5 | 20 | 1 |
| 37 | 54 | 56 | 48.5 | 20 | 1 |

Dims. in mm.

Additional special versions can be realized. Please contact us with your specific needs.

Versions of WIMA Snubber Capacitors



| Version code | | D2 | D4 | B5 | B8 | 1A | 1B | 1F | 1G | 1H | 1I | 1J | 1K | 1L | 2A | 2B | 2C | 2D | 2E | 2F | 2H | 2I | 2J | 2K | 2L | 2M | 3A | 3C | 3D | 3E | 3G | 3I | 3J | 3K | 3L | 3N | 3O | 3P | | |
|--------------------|-----------|-------|-------|----|----|----|------|------|--------|------|------|--------|------|--------|----|------|------|------|------|--------|------|------|--------|--------|------|------|----|------|------|------|------|------|------|------|--------|------|-------|-------|--|--|
| W x H x L | Size code | 2-pin | 4-pin | B5 | B8 | A1 | A1.1 | A1.4 | A1.4.1 | A1.5 | A1.6 | A1.6.1 | A1.7 | A1.7.1 | A2 | A2.1 | A2.2 | A2.3 | A2.4 | A2.4.1 | A2.5 | A2.6 | A2.6.1 | A2.6.2 | A2.7 | A2.8 | A3 | A3.1 | A3.2 | A3.3 | A3.5 | A3.6 | A3.7 | A3.8 | A3.8.1 | A3.9 | A3.10 | A3.11 | | |
| 7 x 14 x 18 | 4D | | | | | | | | | | | | | | | | | | | | | | | | | | | | | | | | | | | | | | | |
| 8 x 15 x 18 | 4F | | | | | | | | | | | | | | | | | | | | | | | | | | | | | | | | | | | | | | | |
| 7 x 16.5 x 26.5 | 5D | | | | | | | | | | | | | | | | | | | | | | | | | | | | | | | | | | | | | | | |
| 8.5 x 18.5 x 26.5 | 5F | | | | | | | | | | | | | | | | | | | | | | | | | | | | | | | | | | | | | | | |
| 10.5 x 19 x 26.5 | 5G | | | | | | | | | | | | | | | | | | | | | | | | | | | | | | | | | | | | | | | |
| 10.5 x 20.5 x 26.5 | 5H | | | | | | | | | | | | | | | | | | | | | | | | | | | | | | | | | | | | | | | |
| 11 x 21 x 26.5 | 5I | | | | | | | | | | | | | | | | | | | | | | | | | | | | | | | | | | | | | | | |
| 11 x 21 x 31.5 | 6B | | | | | | | | | | | | | | | | | | | | | | | | | | | | | | | | | | | | | | | |
| 13 x 24 x 31.5 | 6D | | | | | | | | | | | | | | | | | | | | | | | | | | | | | | | | | | | | | | | |
| 15 x 26 x 31.5 | 6F | | | | | | | | | | | | | | | | | | | | | | | | | | | | | | | | | | | | | | | |
| 17 x 29 x 31.5 | 6G | | | | | | | | | | | | | | | | | | | | | | | | | | | | | | | | | | | | | | | |
| 17 x 34.5 x 31.5 | 6I | | | | | | | | | | | | | | | | | | | | | | | | | | | | | | | | | | | | | | | |
| 19 x 30 x 31.5 | 6L | | | | | | | | | | | | | | | | | | | | | | | | | | | | | | | | | | | | | | | |
| 11 x 22 x 41.5 | 7B | | | | | | | | | | | | | | | | | | | | | | | | | | | | | | | | | | | | | | | |
| 13 x 24 x 41.5 | 7C | | | | | | | | | | | | | | | | | | | | | | | | | | | | | | | | | | | | | | | |
| 15 x 26 x 41.5 | 7D | | | | | | | | | | | | | | | | | | | | | | | | | | | | | | | | | | | | | | | |
| 17 x 29 x 41.5 | 7E | | | | | | | | | | | | | | | | | | | | | | | | | | | | | | | | | | | | | | | |
| 19 x 32 x 41.5 | 7F | | | | | | | | | | | | | | | | | | | | | | | | | | | | | | | | | | | | | | | |
| 20 x 39.5 x 41.5 | 7G | | | | | | | | | | | | | | | | | | | | | | | | | | | | | | | | | | | | | | | |
| 24 x 45.5 x 41.5 | 7H | | | | | | | | | | | | | | | | | | | | | | | | | | | | | | | | | | | | | | | |
| 31 x 46 x 41.5 | 7I | | | | | | | | | | | | | | | | | | | | | | | | | | | | | | | | | | | | | | | |
| 35 x 50 x 41.5 | 7J | | | | | | | | | | | | | | | | | | | | | | | | | | | | | | | | | | | | | | | |
| 40 x 55 x 41.5 | 7K | | | | | | | | | | | | | | | | | | | | | | | | | | | | | | | | | | | | | | | |
| 19 x 31 x 56 | 8D | | | | | | | | | | | | | | | | | | | | | | | | | | | | | | | | | | | | | | | |
| 23 x 34 x 56 | 8E | | | | | | | | | | | | | | | | | | | | | | | | | | | | | | | | | | | | | | | |
| 27 x 37.5 x 56 | 8H | | | | | | | | | | | | | | | | | | | | | | | | | | | | | | | | | | | | | | | |
| 33 x 48 x 56 | 8J | | | | | | | | | | | | | | | | | | | | | | | | | | | | | | | | | | | | | | | |
| 37 x 54 x 56 | 8L | | | | | | | | | | | | | | | | | | | | | | | | | | | | | | | | | | | | | | | |

| Version code | | 4A | 4C | 4J | 4L | 4M | 5A | 6A | FS |
|------------------|-----------|----|------|------|------|-------|----|----|--------|
| W x H x L | Size code | A4 | A4.2 | A4.7 | A4.9 | A4.10 | A5 | A6 | FS 6.3 |
| 11 x 21 x 26.5 | 5I | | | | | | | | |
| 11 x 21 x 31.5 | 6B | | | | | | | | |
| 13 x 24 x 31.5 | 6D | | | | | | | | |
| 15 x 26 x 31.5 | 6F | | | | | | | | |
| 17 x 29 x 31.5 | 6G | | | | | | | | |
| 17 x 34.5 x 31.5 | 6I | | | | | | | | |
| 19 x 30 x 31.5 | 6L | | | | | | | | |
| 11 x 22 x 41.5 | 7B | | | | | | | | |
| 13 x 24 x 41.5 | 7C | | | | | | | | |
| 15 x 26 x 41.5 | 7D | | | | | | | | |
| 17 x 29 x 41.5 | 7E | | | | | | | | |
| 19 x 32 x 41.5 | 7F | | | | | | | | |
| 20 x 39.5 x 41.5 | 7G | | | | | | | | |
| 24 x 45.5 x 41.5 | 7H | | | | | | | | |
| 31 x 46 x 41.5 | 7I | | | | | | | | |
| 19 x 31 x 56 | 8D | | | | | | | | |
| 23 x 34 x 56 | 8E | | | | | | | | |
| 27 x 37.5 x 56 | 8H | | | | | | | | |
| 33 x 48 x 56 | 8J | | | | | | | | |
| 37 x 54 x 56 | 8L | | | | | | | | |

Possible connecting respective plate versions - depending on box size.

Typical Dimensions for Taping Configuration

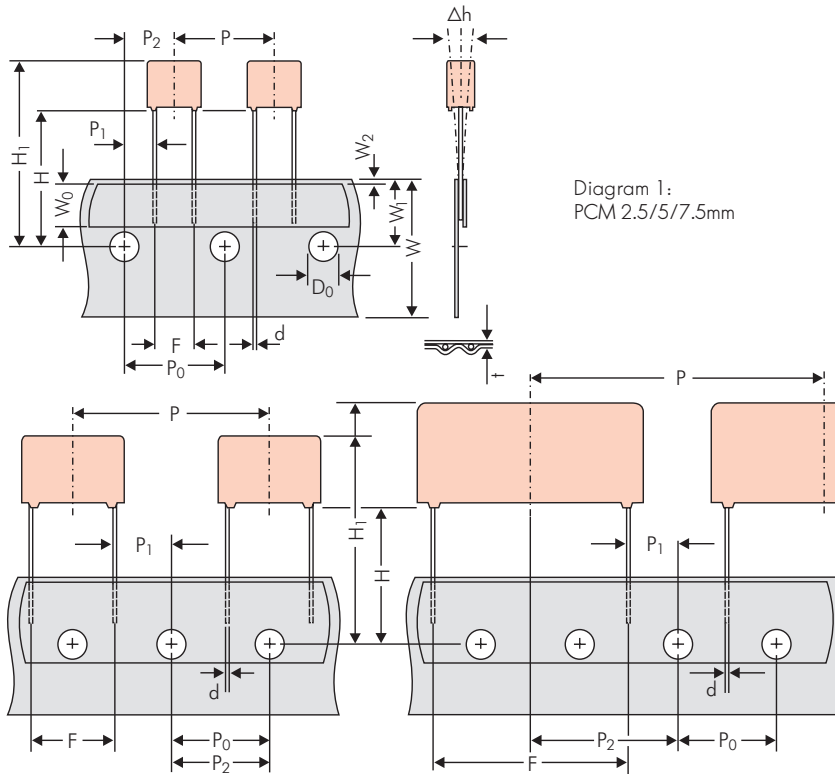


Diagram 2: PCM 10/15 mm

Diagram 3: PCM 22.5 and 27.5*mm

*PCM 27.5 tapping possible with two feed holes between components

| Designation | Symbol | Dimensions for Radial Taping | | | | | | | | | | |
|--|-----------------------|--|--|---|---|---|---|---|------|-----------------------|------------------|---|
| | | PCM 2.5 tapping | PCM 5 tapping | PCM 7.5 tapping | PCM 10 tapping* | PCM 15 tapping* | PCM 22.5 tapping | PCM 27.5 tapping | | | | |
| Carrier tape width | W | 18.0 ±0.5 | 18.0 ±0.5 | 18.0 ±0.5 | 18.0 ±0.5 | 18.0 ±0.5 | 18.0 ±0.5 | 18.0 ±0.5 | | | | |
| Hold-down tape width | W ₀ | 6.0 for hot-sealing adhesive tape | 6.0 for hot-sealing adhesive tape | 12.0 for hot-sealing adhesive tape | 12.0 for hot-sealing adhesive tape | 12.0 for hot-sealing adhesive tape | 12.0 for hot-sealing adhesive tape | 12.0 for hot-sealing adhesive tape | | | | |
| Hole position | W ₁ | 9.0 ±0.5 | 9.0 ±0.5 | 9.0 ±0.5 | 9.0 ±0.5 | 9.0 ±0.5 | 9.0 ±0.5 | 9.0 ±0.5 | | | | |
| Hold-down tape position | W ₂ | 0.5 to 3.0 max. | 0.5 to 3.0 max. | 0.5 to 3.0 max. | 0.5 to 3.0 max. | 0.5 to 3.0 max. | 0.5 to 3.0 max. | 0.5 to 3.0 max. | | | | |
| Feed hole diameter | D ₀ | 4.0 ±0.2 | 4.0 ±0.2 | 4.0 ±0.2 | 4.0 ±0.2 | 4.0 ±0.2 | 4.0 ±0.2 | 4.0 ±0.2 | | | | |
| Pitch of component | P | 12.7 ±1.0 | 12.7 ±1.0 | 12.7 ±1.0 | 25.4 ±1.0 | 25.4 ±1.0 | 38.1 ±1.5 | 38.1 ±1.5 or 50.8 ±1.5 | | | | |
| Feed hole pitch | P ₀ | 12.7 ±0.3 cumulative pitch error max. 1.0 mm/20 pitch | 12.7 ±0.3 cumulative pitch error max. 1.0 mm/20 pitch | 12.7 ±0.3 cumulative pitch error max. 1.0 mm/20 pitch | 12.7 ±0.3 cumulative pitch error max. 1.0 mm/20 pitch | 12.7 ±0.3 cumulative pitch error max. 1.0 mm/20 pitch | 12.7 ±0.3 cumulative pitch error max. 1.0 mm/20 pitch | 12.7 ±0.3 cumulative pitch error max. 1.0 mm/20 pitch | | | | |
| Feed hole centre to pin | P ₁ | 5.1 ±0.5 | 3.85 ±0.7 | 2.6 ±0.7 | 7.7 ±0.7 | 5.2 ±0.7 | 7.8 ±0.7 | 5.3 ±0.7 | | | | |
| Hole centre to component centre | P ₂ | 6.35 ±1.3 | 6.35 ±1.3 | 6.35 ±1.3 | 12.7 ±1.3 | 12.7 ±1.3 | 19.05 ±1.3 | 19.05 ±1.3 | | | | |
| Feed hole centre to bottom edge of the component | H | 16.5 ±0.3 18.5 ±0.5 | 16.5 ±0.3 18.5 ±0.5 | 16.5 ±0.5 18.5 ±0.5 | 16.5 ±0.5 18.5 ±0.5 | 16.5 ±0.5 18.5 ±0.5 | 16.5 ±0.5 18.5 ±0.5 | 16.5 ±0.5 18.5 ±0.5 | | | | |
| Feed hole centre to top edge of the component | H ₁ | H+H _{component} < H ₁ 32.25 max. | H+H _{component} < H ₁ 32.25 max. | H+H _{component} < H ₁ 24.5 to 31.5 | H+H _{component} < H ₁ 25.0 to 31.5 | H+H _{component} < H ₁ 26.0 to 37.0 | H+H _{component} < H ₁ 30.0 to 43.0 | H+H _{component} < H ₁ 35.0 to 45.0 | | | | |
| Pin spacing at upper edge of carrier tape | F | 2.5 ±0.5 | 5.0 ^{+0.8} _{-0.2} | 7.5 ±0.8 | 10.0 ±0.8 | 15 ±0.8 | 22.5 ±0.8 | 27.5 ±0.8 | | | | |
| Pin diameter | d | 0.4 ±0.05 | 0.5 ±0.05 | 0.5 ±0.05 or 0.6 ^{+0.06} _{-0.05} | 0.5 ±0.05 or 0.6 ^{+0.06} _{-0.05} | 0.8 ^{+0.08} _{-0.05} | 0.8 ^{+0.08} _{-0.05} | 0.8 ^{+0.08} _{-0.05} | | | | |
| Component alignment | Δh | ± 2.0 max. | ± 2.0 max. | ± 3.0 max. | ± 3.0 max. | ± 3.0 max. | ± 3.0 max. | ± 3.0 max. | | | | |
| Total tape thickness | t | 0.7 ±0.2 | 0.7 ±0.2 | 0.7 ±0.2 | 0.7 ±0.2 | 0.7 ±0.2 | 0.7 ±0.2 | 0.7 ±0.2 | | | | |
| Package (see also page 149) | ROLL/AMMO | | | AMMO | | | | | | | | |
| | REEL | φ 360 max. φ 30 ±1 | B 52 ±2 58 ±2 | depending on comp. dimensions | | REEL | φ 360 max. φ 30 ±1 | B 52 ±2 58 ±2 or 66 ±2 | REEL | φ 500 max. φ 25 ±1 | B 60 ±2 68 ±2 | depending on PCM and component dimensions |
| Unit | see details page 150. | | | | | | | | | | | |

Dims in mm.

* Diameter of pins see General Data.

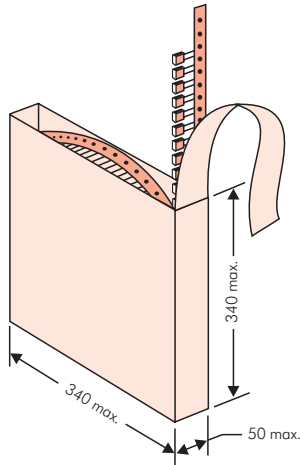
* PCM 10 and PCM 15 can be crimped to PCM 7.5.

Position of components according to PCM 7.5 (sketch 11). P₀ = 12.7 or 15.0 is possible

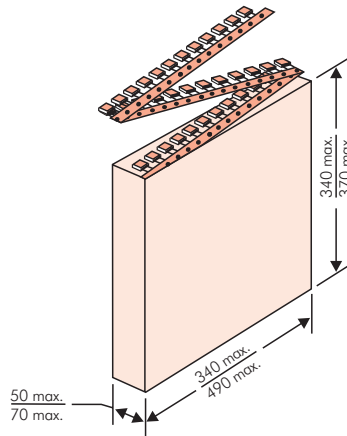
Please clarify customer-specific deviations with the manufacturer.

Types of Tape Packaging of Capacitors for Automatic Radial Insertion

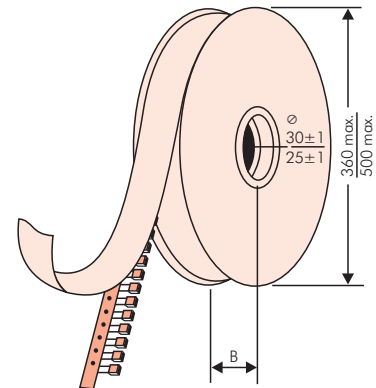
■ ROLL Packaging



■ AMMO Packaging



■ REEL Packaging



BAR CODE (Labelling)

Labelling of package units in plain text and with alphanumerical Bar Code

Scanner decoding of

- WIMA supplier number
- Customer's P/O number
- Customer's part number
- WIMA confirmation number
- WIMA part number
- Lot number
- Date code
- Quantity

In addition part description of

- article
- capacitance value
- rated voltage
- dimensions
- capacitance tolerance
- packing

as well as gross weight and customer's name are indicated in plain text.

| | | | |
|---|---|--------------------------|----------------|
| WIMA Best Capacitors Made in Germany | | Werk Unna | |
| Supplier-ID: 123456789 | RoHS 2011/65/EC | Date Code: 08.10.10 | |
| | | | |
| Purchase Order No. (P/O): Bestellung xyz | | Quantity: 5.000 | |
| | | | |
| Customer Part No.: KUNDETEILENUMMER | | Customer No.: 0000100002 | |
| | | Gross Weight [g]: 1870 | |
| WIMA Confirmation No.: 0001004053000100 | WIMA Part No.: MKS2C034701C00K88D | | |
| | | | |
| Handling Unit: 1000067326 | MKS 2 | QTY: 5.000 | COO: DE |
| | MKS 2 0.47 µF 63 VDC 3.5x8.5x7.2 RMS | | |
| Standard | 10% | Loss - Standard | Drühte 6-2 |
| Vorlage Debitor Inland | | | Week 03/2011 |

BARCODE „Code 39“



Packing Quantities for Capacitors with Radial Pins in PCM 2.5 mm to 22.5 mm

| PCM | Size | | | | bulk | pcs. per packing unit | | | | | | | | | |
|---------|------|------|-----------|-----------|------|-----------------------|-------|-------|-------|-------|-----------|-----------|-----|------|--|
| | | | | | | ROLL | | REEL | | | | AMMO | | | |
| | W | H | L | Codes | | S | H16.5 | H18.5 | ø 360 | ø 500 | 340 × 340 | 490 × 370 | | | |
| | | | | | N | O | F | I | H | J | A | C | B | D | |
| 2.5 mm | 2.5 | 7 | 4.6 | 0B | 5000 | | 2200 | 2500 | | | | 2800 | | | |
| | 3 | 7.5 | 4.6 | 0C | 5000 | | 2000 | 2300 | | | | 2300 | | | |
| | 3.8 | 8.5 | 4.6 | 0D | 5000 | | 1500 | 1800 | | | | 1800 | | | |
| | 4.6 | 9 | 4.6 | 0E | 5000 | | 1200 | 1500 | | | | 1500 | | | |
| | 5.5 | 10 | 4.6 | 0F | 5000 | | 900 | 1200 | | | | 1200 | | | |
| 5 mm | 2.5 | 6.5 | 7.2 | 1A | 5000 | | 2200 | 2500 | | | | 2800 | | | |
| | 3 | 7.5 | 7.2 | 1B | 5000 | | 2000 | 2300 | | | | 2300 | | | |
| | 3.5 | 8.5 | 7.2 | 1C | 5000 | | 1600 | 2000 | | | | 2000 | | | |
| | 4.5 | 6 | 7.2 | 1D | 6000 | | 1300 | 1500 | | | | 1500 | | | |
| | 4.5 | 9.5 | 7.2 | 1E | 4000 | | 1300 | 1500 | | | | 1500 | | | |
| | 5 | 10 | 7.2 | 1F | 3500 | | 1100 | 1400 | | | | 1400 | | | |
| | 5.5 | 7 | 7.2 | 1G | 4000 | | 1000 | 1200 | | | | 1200 | | | |
| | 5.5 | 11.5 | 7.2 | 1H | 2500 | | 1000 | 1200 | | | | 1200 | | | |
| | 6.5 | 8 | 7.2 | 1I | 2500 | | 800 | 1000 | | | | 1000 | | | |
| | 7.2 | 8.5 | 7.2 | 1J | 2500 | | 700 | 1000 | | | | 1000 | | | |
| | 7.2 | 13 | 7.2 | 1K | 2000 | | 700 | 950 | | | | 1000 | | | |
| | 8.5 | 10 | 7.2 | 1L | 2000 | | 600 | 800 | | | | 800 | | | |
| | 8.5 | 14 | 7.2 | 1M | 1500 | | 600 | 800 | | | | 800 | | | |
| 11 | 16 | 7.2 | 1N | 1000 | | 500 | 600 | | | | 400 | | | | |
| 7.5 mm | 2.5 | 7 | 10 | 2A | 5000 | | | 2500 | 4400 | | 2500 | | | | |
| | 3 | 8.5 | 10 | 2B | 5000 | | | 2200 | 4300 | | 2300 | | | 4150 | |
| | 4 | 9 | 10 | 2C | 4000 | | | 1700 | 3200 | | 1700 | | | 3100 | |
| | 4.5 | 9.5 | 10.3 | 2D | 3500 | | | 1500 | 2900 | | 1400 | | | 2800 | |
| | 5 | 10.5 | 10.3 | 2E | 3000 | | | 1300 | 2500 | | 1300 | | | | |
| | 5.7 | 12.5 | 10.3 | 2F | 2000 | | | 1000 | 2200 | | 1100 | | | | |
| | 7.2 | 12.5 | 10.3 | 2G | 1500 | | | 900 | 1800 | | 1000 | | | | |
| 10 mm | 3 | 9 | 13 | 3A | 3000 | | | 1100 | 2200 | | | | | 1900 | |
| | 4 | 8.5 | 13.5 | FA | 3000 | | | 900 | 1600 | | | | | 1450 | |
| | 4 | 9 | 13 | 3C | 3000 | | | 900 | 1600 | | | | | 1450 | |
| | 4 | 9.5 | 13 | 3D | 3000 | | | 900 | 1600 | | | | | 1400 | |
| | 5 | 10 | 13.5 | FB | 2000 | | | 700 | 1300 | | | | | 1200 | |
| | 5 | 11 | 13 | 3F | 3000 | | | 700 | 1300 | | | | | 1200 | |
| | 6 | 12 | 13 | 3G | 2400 | | | 550 | 1100 | | | | | 1000 | |
| | 6 | 12.5 | 13 | 3H | 2400 | | | 550 | 1100 | | | | | 1000 | |
| 8 | 12 | 13 | 3I | 2000 | | | 400 | 800 | | | | | 740 | | |
| 15 mm | 5 | 11 | 18 | 4B | 2400 | | | 600 | 1200 | | | | | 1150 | |
| | 5 | 13 | 19 | FC | 1000 | | | 600 | 1200 | | | | | 1200 | |
| | 6 | 12.5 | 18 | 4C | 2000 | | | 500 | 1000 | | | | | 1000 | |
| | 6 | 14 | 19 | FD | 1000 | | | 500 | 1000 | | | | | 1000 | |
| | 7 | 14 | 18 | 4D | 1600 | | | 450 | 900 | | | | | 850 | |
| | 7 | 15 | 19 | FE | 1000 | | | 450 | 900 | | | | | 850 | |
| | 8 | 15 | 18 | 4F | 1200 | | | 400 | 800 | | | | | 740 | |
| | 8 | 17 | 19 | FF | 500 | | | 400 | 800 | | | | | 740 | |
| | 9 | 14 | 18 | 4H | 1200 | | | 350 | 700 | | | | | 650 | |
| | 9 | 16 | 18 | 4J | 900 | | | 350 | 700 | | | | | 650 | |
| | 10 | 18 | 19 | FG | 500 | | | 300 | 650 | | | | | 590 | |
| 11 | 14 | 18 | 4M | 1000 | | | 300 | 600 | | | | | 540 | | |
| 22.5 mm | 5 | 14 | 26.5 | 5A | 1200 | | | | 800 | | | | | 770 | |
| | 6 | 15 | 26.5 | 5B | 1000 | | | | 700 | | | | | 640 | |
| | 7 | 16.5 | 26.5 | 5D | 760 | | | | 600 | | | | | 550 | |
| | 8 | 20 | 28 | FH | 500 | | | | 500 | | | | | 480 | |
| | 8.5 | 18.5 | 26.5 | 5F | 500 | | | | 480 | | | | | 450 | |
| | 10 | 22 | 28 | FI | 540* | | | | 420 | | | | | 380 | |
| | 10.5 | 19 | 26.5 | 5G | 680* | | | | 400 | | | | | 360 | |
| | 10.5 | 20.5 | 26.5 | 5H | 680* | | | | 400 | | | | | 360 | |
| | 11 | 21 | 26.5 | 5I | 680* | | | | 380 | | | | | 350 | |
| | 12 | 24 | 28 | FJ | 450* | | | | 350 | | | | | 310 | |

* TPS (Tray-Packing-System). Plate versions may have different packing units. Samples and pre-production needs on request.

■ Moulded versions.

Rights reserved to amend design data without prior notification.



Packing Quantities for Capacitors with Radial Pins in PCM 27.5 mm to 52.5 mm

| PCM | Size | | | | bulk | pcs. per packing unit | | | | | | | | | | | |
|----------------|------|------|-----------|-----------|------|-----------------------|---|-------|-------|----------|-------|-------|-----------|-------|-----------|-------|-------|
| | | | | | | ROLL | | REEL | | | | AMMO | | | | | |
| | W | H | L | Codes | | S | N | O | ø 360 | | ø 500 | | 340 × 340 | | 490 × 370 | | |
| | | | | | | | | H16.5 | H18.5 | H16.5 | H18.5 | H16.5 | H18.5 | H16.5 | H18.5 | H16.5 | H18.5 |
| | | | | | | | | F | I | H | J | A | C | B | D | | |
| 27.5 mm | 9 | 19 | 31.5 | 6A | 640* | – | – | – | – | 460/340* | – | – | – | – | – | – | – |
| | 11 | 21 | 31.5 | 6B | 544* | – | – | – | – | 380/280* | – | – | – | – | – | – | – |
| | 13 | 24 | 31.5 | 6D | 448* | – | – | – | – | 300 | – | – | – | – | – | – | – |
| | 13 | 25 | 33 | 6K | 336* | – | – | – | – | – | – | – | – | – | – | – | – |
| | 15 | 26 | 31.5 | 6F | 384* | – | – | – | – | 270 | – | – | – | – | – | – | – |
| | 15 | 26 | 33 | 6L | 288* | – | – | – | – | – | – | – | – | – | – | – | – |
| | 17 | 29 | 31.5 | 6G | 176* | – | – | – | – | – | – | – | – | – | – | – | – |
| | 17 | 34.5 | 31.5 | 6I | 176* | – | – | – | – | – | – | – | – | – | – | – | – |
| | 19 | 30 | 31.5 | 6J | 50* | – | – | – | – | – | – | – | – | – | – | – | – |
| | 20 | 32 | 33 | 6M | 216* | – | – | – | – | – | – | – | – | – | – | – | – |
| 20 | 39.5 | 31.5 | 6J | 144* | – | – | – | – | – | – | – | – | – | – | – | – | |
| 37.5 mm | 9 | 19 | 41.5 | 7A | 480* | – | – | – | – | – | – | – | – | – | – | – | – |
| | 11 | 22 | 41.5 | 7B | 408* | – | – | – | – | – | – | – | – | – | – | – | – |
| | 13 | 24 | 41.5 | 7C | 252* | – | – | – | – | – | – | – | – | – | – | – | – |
| | 15 | 26 | 41.5 | 7D | 144* | – | – | – | – | – | – | – | – | – | – | – | – |
| | 17 | 29 | 41.5 | 7E | 132* | – | – | – | – | – | – | – | – | – | – | – | – |
| | 19 | 32 | 41.5 | 7F | 108* | – | – | – | – | – | – | – | – | – | – | – | – |
| | 20 | 39.5 | 41.5 | 7G | 108* | – | – | – | – | – | – | – | – | – | – | – | – |
| | 24 | 45.5 | 41.5 | 7H | 84* | – | – | – | – | – | – | – | – | – | – | – | – |
| | 31 | 46 | 41.5 | 7I | 72* | – | – | – | – | – | – | – | – | – | – | – | – |
| | 35 | 50 | 41.5 | 7J | 35* | – | – | – | – | – | – | – | – | – | – | – | – |
| 40 | 55 | 41.5 | 7K | 28* | – | – | – | – | – | – | – | – | – | – | – | – | |
| 48.5 mm | 19 | 31 | 56 | 8D | 50* | – | – | – | – | – | – | – | – | – | – | – | – |
| | 23 | 34 | 56 | 8E | 72* | – | – | – | – | – | – | – | – | – | – | – | – |
| | 27 | 37.5 | 56 | 8H | 60* | – | – | – | – | – | – | – | – | – | – | – | – |
| | 33 | 48 | 56 | 8J | 48* | – | – | – | – | – | – | – | – | – | – | – | – |
| | 37 | 54 | 56 | 8L | 25* | – | – | – | – | – | – | – | – | – | – | – | – |
| 52.5 mm | 35 | 50 | 57 | 9F | 25* | – | – | – | – | – | – | – | – | – | – | – | – |
| | 45 | 55 | 57 | 9H | 20* | – | – | – | – | – | – | – | – | – | – | – | – |
| | 45 | 65 | 57 | 9J | 20* | – | – | – | – | – | – | – | – | – | – | – | – |

* for 2-inch transport pitches.

* TPS (Tray-Packing-System). Plate versions may have different packing units. Samples and pre-production needs on request.

■ Moulded versions.

Rights reserved to amend design data without prior notification.



WIMA Part Number System

A WIMA part number consists of 18 digits and is composed as follows:

- Field 1 - 4: Type description
- Field 5 - 6: Rated voltage
- Field 7 - 10: Capacitance
- Field 11 - 12: Size and PCM
- Field 13 - 14: Version code (e.g. Snubber versions)
- Field 15: Capacitance tolerance
- Field 16: Packing
- Field 17 - 18: Pin length (untaped)

| | | | | | | | | | | | | | | | | | |
|----------|----------|----------|----------|----------|----------|----------|----------|----------|-------------|----------|----------|----------|----------|----------|----------|----------|----------|
| 1 | 2 | 3 | 4 | 5 | 6 | 7 | 8 | 9 | 10 | 11 | 12 | 13 | 14 | 15 | 16 | 17 | 18 |
| M | K | S | 2 | C | 0 | 2 | 1 | 0 | 0 | 1 | A | 0 | 0 | M | S | S | D |
| MKS 2 | | | | 63 VDC | | 0.01 µF | | | 2.5x6.5x7.2 | | | - | | 20% | bulk | 6-2 | |

| | | | | | |
|---|--|---|---|--|---|
| <p>Type description:</p> <p>SMD-PET = SMDT SMD-PPS = SMDI FKP 02 = FKP0 MKS 02 = MKS0 FKS 2 = FKS2 FKP 2 = FKP2 MKS 2 = MKS2 MKP 2 = MKP2 FKS 3 = FKS3 FKP 3 = FKP3 MKS 4 = MKS4 MKP 4 = MKP4 MKP 10 = MKP1 FKP 4 = FKP4 FKP 1 = FKP1 MKP-X2 = MKX2 MKP-X2 R = MKXR MKP-Y2 = MKY2 MP 3-X2 = MPX2 MP 3-X1 = MPX1 MP 3-Y2 = MPY2 MP 3R-Y2 = MPRY Snubber MKP = SNMP Snubber FKP = SNFP GTO MKP = GTOM DC-LINK MKP 3 = DCP3 DC-LINK MKP 4 = DCP4 DC-LINK MKP 4S = DCPS DC-LINK MKP 5 = DCP5 DC-LINK MKP 6 = DCP6 DC-LINK HC = DCH_ DC-LINK HY = DCHY SuperCap C = SCSC SuperCap MC = MC_ SuperCap C60 = SCSC SuperCap R = SCSR SuperCap MR = MRPP</p> | <p>Rated voltage:</p> <p>2.5 VDC = A1 4 VDC = A2 14 VDC = A3 28 VDC = A4 40 VDC = A5 5 VDC = A6 50 VDC = B0 63 VDC = C0 100 VDC = D0 160 VDC = E0 250 VDC = F0 400 VDC = G0 450 VDC = H0 600 VDC = I0 630 VDC = J0 700 VDC = K0 800 VDC = L0 850 VDC = M0 900 VDC = N0 1000 VDC = O1 1100 VDC = P0 1200 VDC = Q0 1250 VDC = R0 1500 VDC = S0 1600 VDC = T0 2000 VDC = U0 2500 VDC = V0 3000 VDC = W0 4000 VDC = X0 6000 VDC = Y0 250 VAC = 0W 275 VAC = 1W 300 VAC = 2W 400 VAC = 3W 440 VAC = 4W 500 VAC = 5W</p> | <p>Capacitance:</p> <p>22 pF = 0022 47 pF = 0047 100 pF = 0100 150 pF = 0150 220 pF = 0220 330 pF = 0330 470 pF = 0470 680 pF = 0680 1000 pF = 1100 1500 pF = 1150 2200 pF = 1220 3300 pF = 1330 4700 pF = 1470 6800 pF = 1680 0.01 µF = 2100 0.022 µF = 2220 0.047 µF = 2470 0.1 µF = 3100 0.22 µF = 3220 0.47 µF = 3470 1 µF = 4100 2.2 µF = 4220 4.7 µF = 4470 10 µF = 5100 22 µF = 5220 47 µF = 5470 100 µF = 6100 220 µF = 6220 1 F = A010 2.5 F = A025 50 F = A500 100 F = B100 110 F = B110 600 F = B600 1200 F = C120 ...</p> | <p>Size:</p> <p>4.8x3.3x3 Size 1812 = KA 4.8x3.3x4 Size 1812 = KB 5.7x5.1x3.5 Size 2220 = QA 5.7x5.1x4.5 Size 2220 = QB 7.2x6.1x3 Size 2824 = TA 7.2x6.1x5 Size 2824 = TB 10.2x7.6x5 Size 4030 = VA 12.7x10.2x6 Size 5040 = XA 15.3x13.7x7 Size 6054 = YA 2.5x7x4.6 PCM 2.5 = 0B 3x7.5x4.6 PCM 2.5 = 0C 2.5x6.5x7.2 PCM 5 = 1A 3x7.5x7.2 PCM 5 = 1B 2.5x7x10 PCM 7.5 = 2A 3x8.5x10 PCM 7.5 = 2B 3x9x13 PCM 10 = 3A 4x9x13 PCM 10 = 3C 5x11x18 PCM 15 = 4B 6x12.5x18 PCM 15 = 4C 5x14x26.5 PCM 22.5 = 5A 6x15x26.5 PCM 22.5 = 5B 9x19x31.5 PCM 27.5 = 6A 11x21x31.5 PCM 27.5 = 6B 9x19x41.5 PCM 37.5 = 7A 11x22x41.5 PCM 37.5 = 7B 94x49x182 DCH_ = H0 94x77x182 DCH_ = H1 ...</p> | <p>Tolerance:</p> <p>20% = M 10% = K 5% = J 2.5% = H 1% = E ...</p> <p>Packing:</p> <p>AMMO H16.5 340x340 = A AMMO H16.5 490x370 = B AMMO H18.5 340x340 = C AMMO H18.5 490x370 = D REEL H16.5 360 = F REEL H16.5 500 = H REEL H18.5 360 = I REEL H18.5 500 = J ROLL H16.5 = N ROLL H18.5 = O BLISTER W12 180 = P BLISTER W12 330 = Q BLISTER W16 330 = R BLISTER W24 330 = T Bulk/TPS Standard = S ...</p> | <p>Version code:</p> <p>Standard = 00 Version A1 = 1A Version A1.1.1 = 1B Version A2 = 2A ...</p> <p>Pin length (untaped)</p> <p>3.5 ±0.5 = C9 6-2 = SD 16 ±1 = P1 ...</p> |
|---|--|---|---|--|---|

The data on this page is not complete and serves only to explain the part number system. Part number information is listed on the pages of the respective WIMA range.